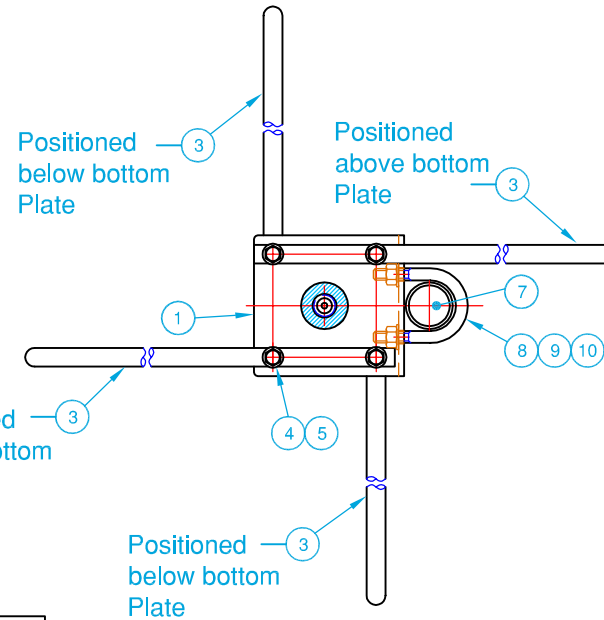
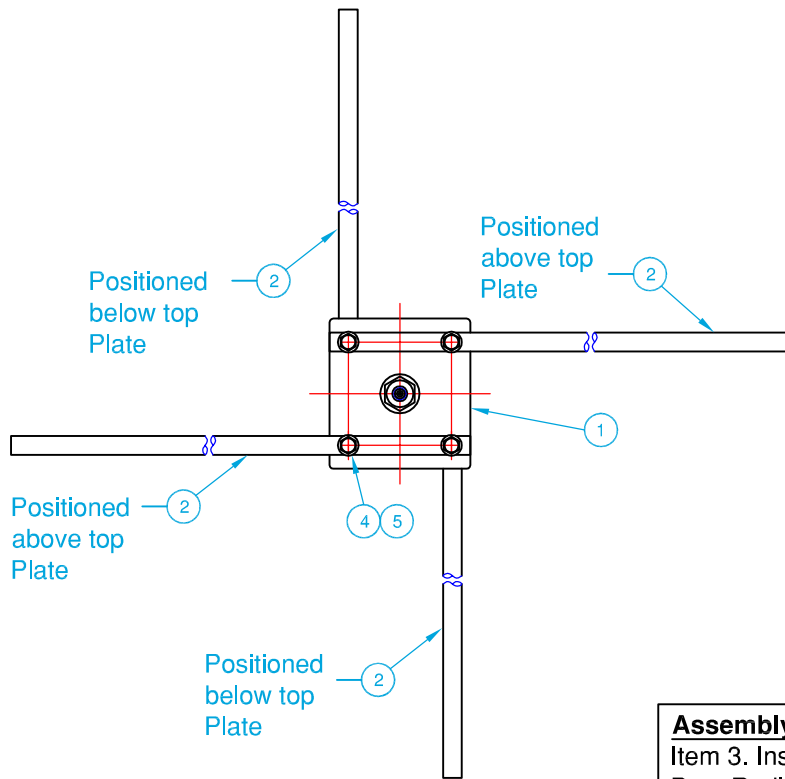
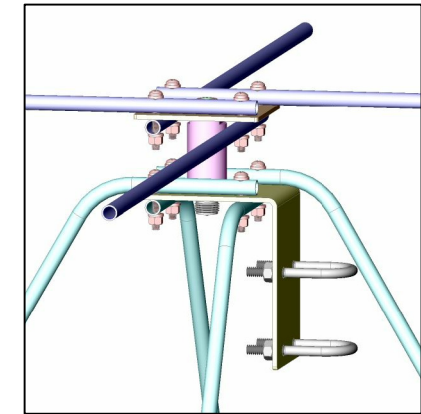


DO NOT SCALE

**FREQUENCY: 65 - 520 MHz**



**Assembly Note:**  
Item 3. Install Bottom Bent Radial Tubes first

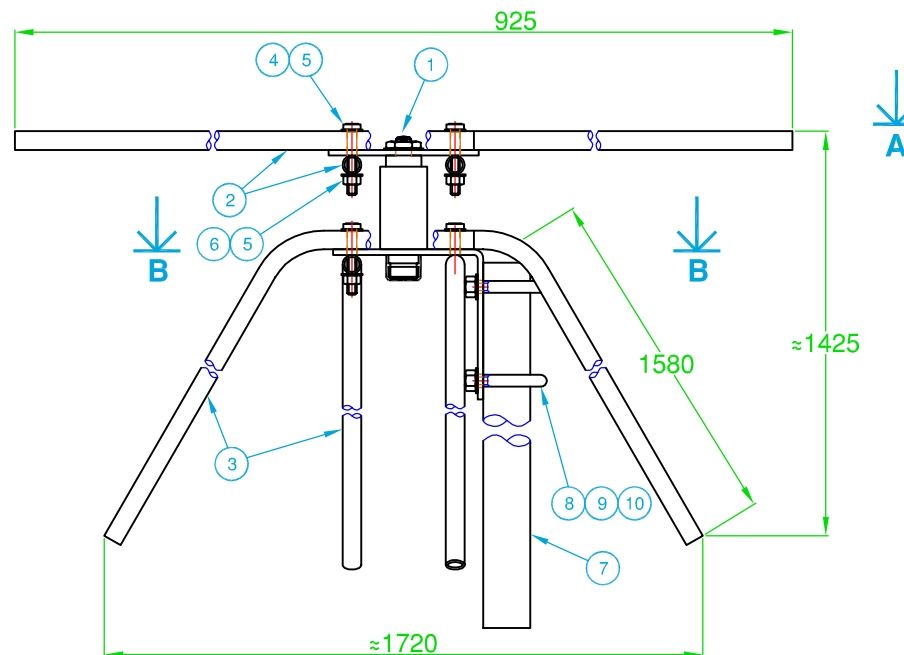


**Assembly Sketch**

**B50RX  
Discone Antenna**

Parts List		
Item	Description	Qty.
1	Head Assembly	1
2	Top Radial Tubes	4
3	Bottom Bent Radial Tubes	4
4	Set Screw, Hex Hd, SS, M5 x 35	8
5	Washer, Flat, SS, M5	16
6	Nut, Hex Hd, SS, M5	8
7	Mount Tube Ø40 x 1500	1
8	U-Bolt, SS c/w Nuts	2
9	Washer, Flat, SS, M6	4
10	Washer, Spring, SS, M6	4

1080-B.dwg LM 24-04-15  
Approved: GK 24-04-15



**G-Tech** Communication Services Pty. Ltd. Trading as :  
**ZCG SCALAR**<sup>®</sup>  
DESIGNERS AND MANUFACTURERS OF RADIO FREQUENCY ANTENNAS  
Hall Street, Lindenow, Victoria, Australia.  
Tel: (03) 5157 1203 Fax: (03) 5157 1641



COPYRIGHT - **G-Tech** COMMUNICATION SERVICES PTY.LTD.  
NO PART OF THIS DRAWING IS TO BE REPRODUCED WITHOUT  
WRITTEN PERMISSION.