

SIDE VIEW:

FRONT VIEW:

Assembly Notes:

- **See Sheet 2 for details**

DVA-118136-3

**Air Band Omni Array -
Aluminium
Installation Guide**

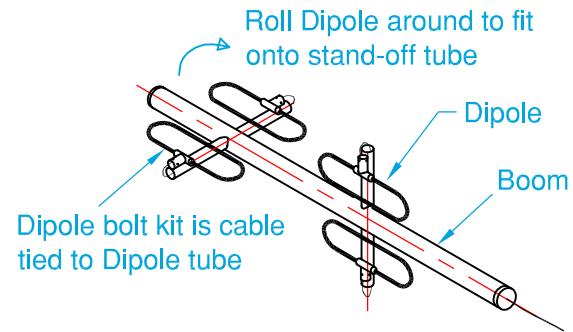
Sheet 1

**Weight:
Approx. 26 kgs
not including Clamps**

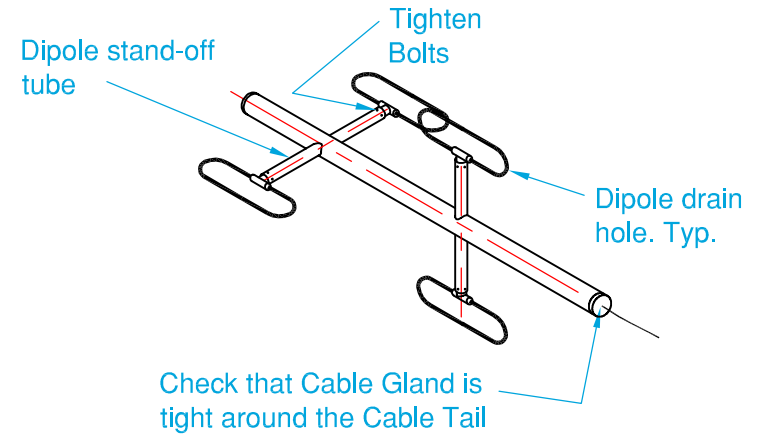


Recommended Tools:

- Side Cutters
- 8mm Spanner



Step 1: Unpack & assemble one Dipole at a time



Step 2: Check all fasteners

Important Note for Installers:

- During site assembly of the Array it is essential that Dipole Cables are handled with great care.

Packing Notes:

- The Array is 'flat packed' for shipping
- Dipoles are partially disassembled and require re-assembly

Assembly Notes:

- Assemble Dipoles one at a time
- Cut the cable ties holding the first Dipole & carefully roll the Dipole onto the stand-off - fasten Dipole using the 3 bolts that are cable tied to the Dipole - Note that all Dipoles have a drain hole which must face downwards when the Antenna is finally installed
- Repeat assembly of remaining Dipoles
- All Dipoles should be in line with the boom
- Check the tightness of all fasteners
- Finally, check Cable Gland is tight around the Cable Tail at the Boom end

