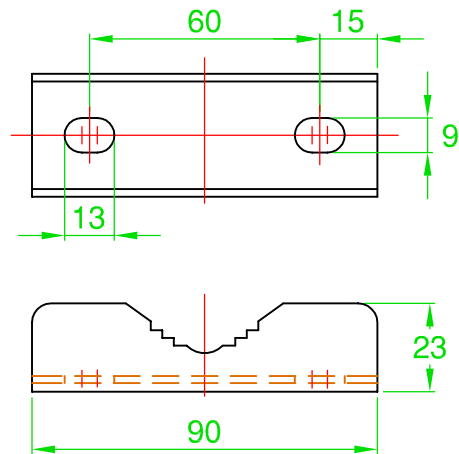


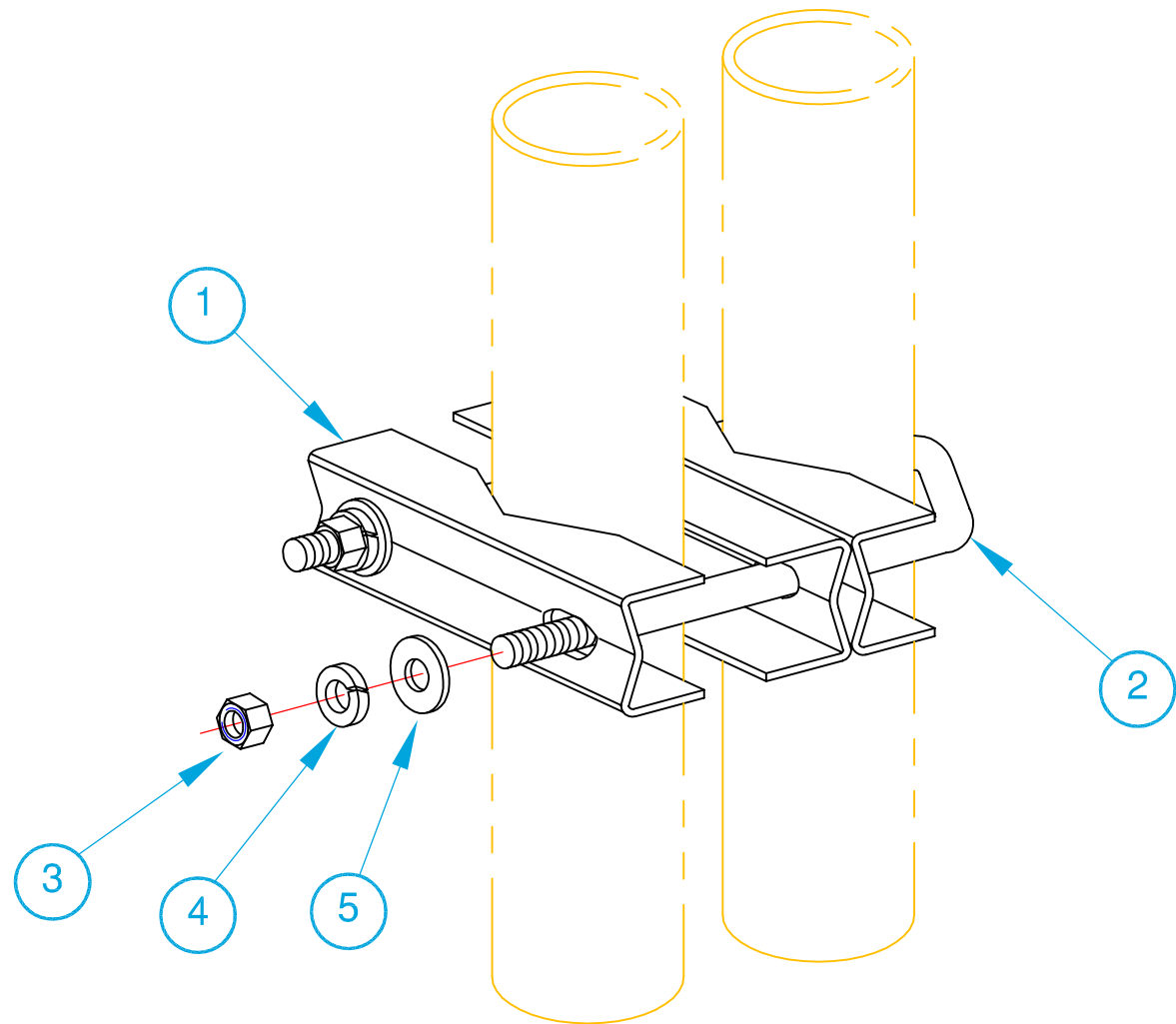
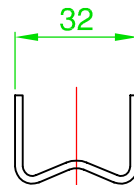
Assembly Sketch

EB1-SS CLAMP KIT

Stainless Steel



Vee Block Detail

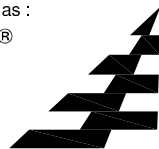


PARTS SUPPLIED:

5	Washer, Flat, Stainless Steel Gr. 304	2
4	Washer, Spring, Stainless Steel Gr. 304	2
3	Nut, Hex, Mild Steel, Galvanised	2
2	U-Bolt, M8 x 52mm Gap, Stainless Steel Gr. 304	1
1	Vee Block, Stainless Steel Gr. 304	3
Item	Description	Quantity

G-Tech Communication Services Pty. Ltd. Trading as :
ZCG SCALAR[®]
 DESIGNERS AND MANUFACTURERS OF RADIO FREQUENCY ANTENNAS

Hall Street, Lindenow, Victoria, Australia.
 Tel: (03) 5157 1203 Fax: (03) 5157 1641



Copyright - G-Tech Communication Services Pty. Ltd. No part of this Drawing is to be reproduced without Written Authority

1213-2-B.dwg LM 21-07-10
 Approved: RG 22-07-10
 Rev. 2. Appr. LM 01-02-16