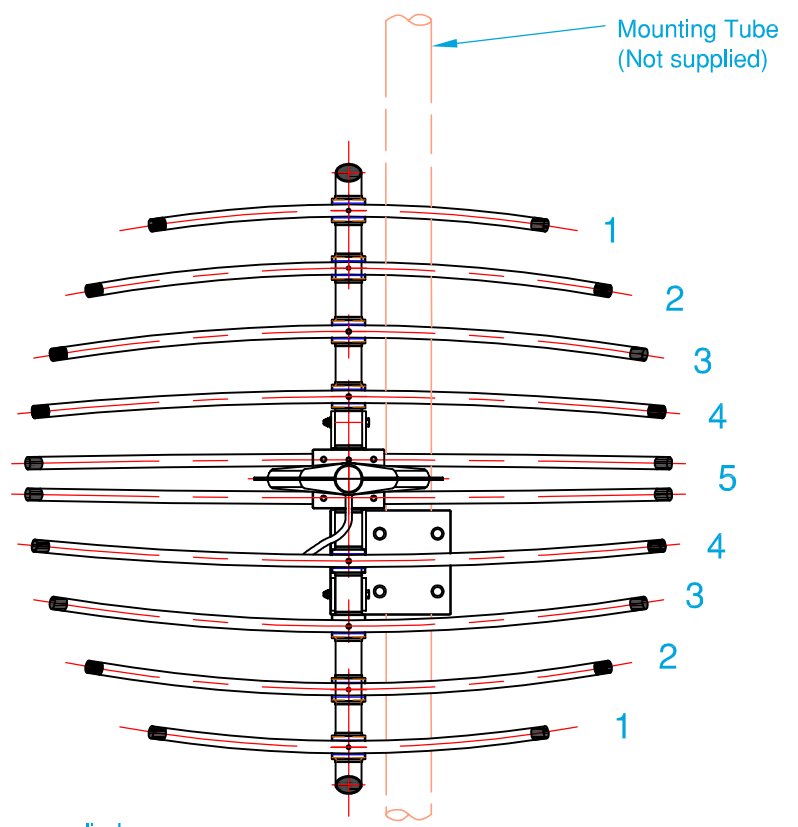


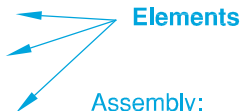
SIDE VIEW



FRONT VIEW

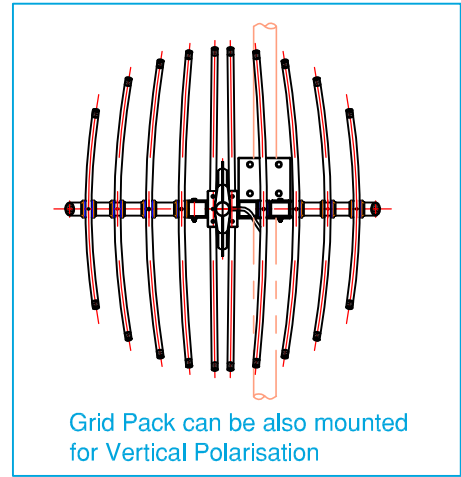
Mounting Notes:

- Antenna with Clamp body can be rotated 90° for desired polarisation
- See Clamp Assembly Sketch for tilt adjustment using vertically aligned Mounting Tube



Assembly:

1. Install Elements Nos.1 to 4 (x2) onto Boom - use supplied M6 x 75mm Set Screws through Tube Support, Element, Saddle then Boom. Fasten with Washer & Nyloc Nut.
 2. Install Launcher and Elements No. 5 (x2) - use M6 x 75mm Set Screws (x2) through centre holes of Launcher backplate, Elements No. 7, Saddles then Boom. Use M6 x 35mm (x4) through Launcher backplate then Elements No. 7. Fasten with Washer & Nyloc Nut.
 3. Install Clamp - Clamp Label 'A' must match with Label 'A' on Boom (ditto Label 'B') - use M8 x 65mm Set Screw. Fasten with Washer & Nyloc Nut. Use supplied U-bolt Spacers when fitting Antenna to small diameter mounting Tube (customer supplied).
- **NOTE:** Nut tension: minimum 5 Nm (3.69 lbf.ft)



Grid Pack can be also mounted for Vertical Polarisation

Assembly Sketch

MGP-3850N Grid Pack

G-Tech Communication Services Pty. Ltd. Trading as :
ZCG SCALAR[®]
 DESIGNERS AND MANUFACTURERS OF RADIO FREQUENCY ANTENNAS
 Hall Street, Lindenow, Victoria, Australia.
 Tel: (03) 5157 1203 Fax: (03) 5157 1641



COPYRIGHT - G-Tech COMMUNICATION SERVICES PTY.LTD.
 NO PART OF THIS DRAWING IS TO BE REPRODUCED WITHOUT WRITTEN PERMISSION.

0.92 metre Grid Pack

PARTS SUPPLIED:

4422-2	Boom	1
4423-4	Elements 1 - 5	10
2548-7	Launcher Assy	1
1821	Clamp c/w U-bolts, Spacers and Fasteners	1
2932-13	Saddle and Bolt Kit c/w Tube Supports for Elements	1
P/N	Description	Quantity

Parts List

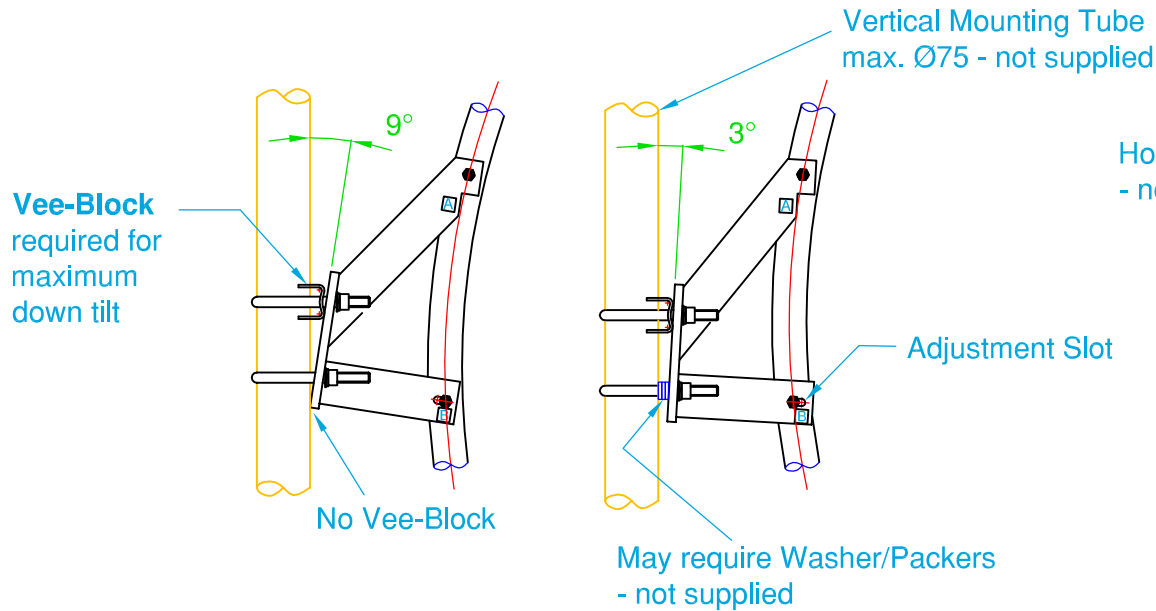
0.92 metre Grid Pack



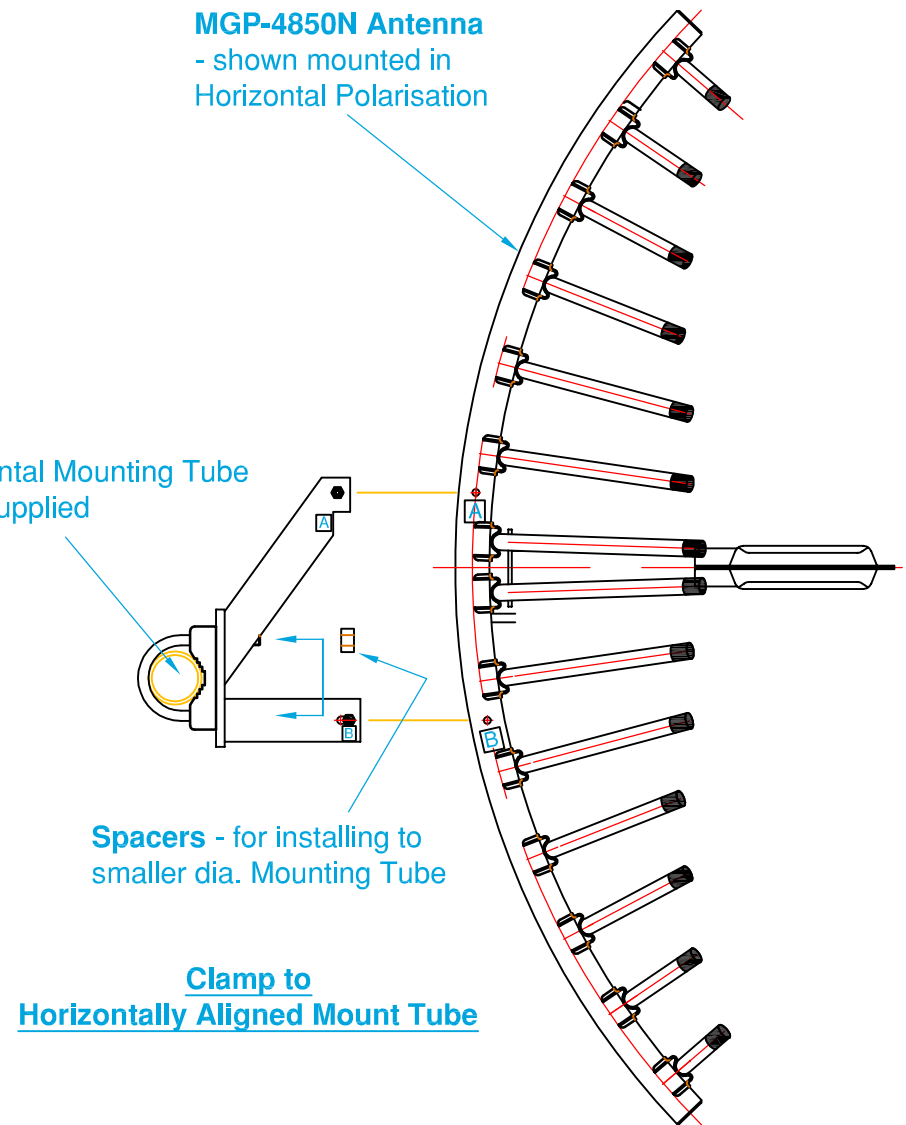
Mounting Notes:

- see [Antenna Assembly Sketch](#) for fitting of Clamp to Grid Pack Dish

- Antenna with Clamp body can be rotated 90° for desired polarisation
- U-bolts & V-blocks can be rotated 90° for mounting to horizontally or vertically aligned Mounting Tube
- For tilt adjustment with vertically aligned Mounting Tube; remove lower or higher Vee-Block & loosen 'Clamp to Antenna' Bolts to achieve desired tilt.
- Tighten Bolts to secure into position.



Tilt Adjustment Example for Clamp to Vertically Aligned Mount Tube



Assembly Sketch

CLAMP ASSY FOR MGP-4850N MGP-3850N GRID PACK

G-Tech Communication Services Pty. Ltd. Trading as :
ZCG SCALAR®
DESIGNERS AND MANUFACTURERS OF RADIO FREQUENCY ANTENNAS
Hall Street, Lindenow, Victoria, Australia.
Tel: (03) 5157 1203 Fax: (03) 5157 1641



Copyright - **G-Tech** Communication Services Pty. Ltd. No part of this Drawing is to be reproduced without Written Authority