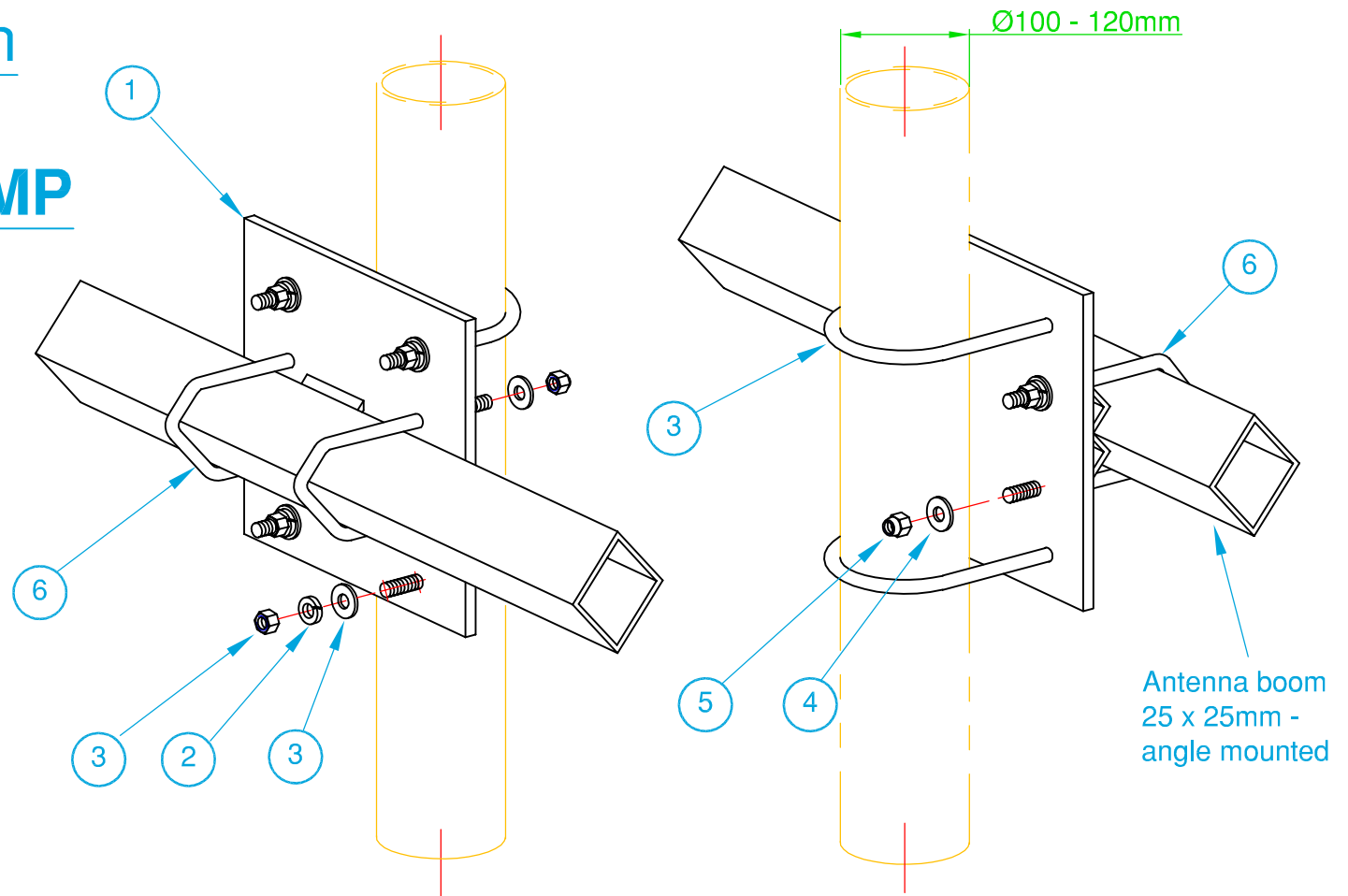


Assembly Sketch

S48-120-AM CLAMP KIT 'Angle Mount'



PARTS SUPPLIED:

6	U-Bolt, Semi-Round, M8 x 52mm Gap x 55 length, Stainless St.	2
5	Nut, Nyloc, Hex, M8, Stainless Steel	4
4	Washer, Flat, M8, Stainless Steel	4
3	U-Bolt, Galvanised, M12, 120mm Gap c/w Nuts & Washers	2
2	Spring Washer, Galvanised, M12	4
1	Clamp Plate, Stainless Steel, 210 x 150 x 6mm	1
Item	Description	Quantity

G-Tech Communication Services Pty. Ltd. Trading as :
ZCG SCALAR[®]
 DESIGNERS AND MANUFACTURERS OF RADIO FREQUENCY ANTENNAS
 Hall Street, Lindenow, Victoria, Australia.
 Tel: (03) 5157 1203 Fax: (03) 5157 1641



Copyright - **G-Tech** Communication Services Pty. Ltd. No part of this Drawing is to be reproduced without Written Authority

1216-6-B.DWG LM 16-01-20
 Approved: DM 16-01-20