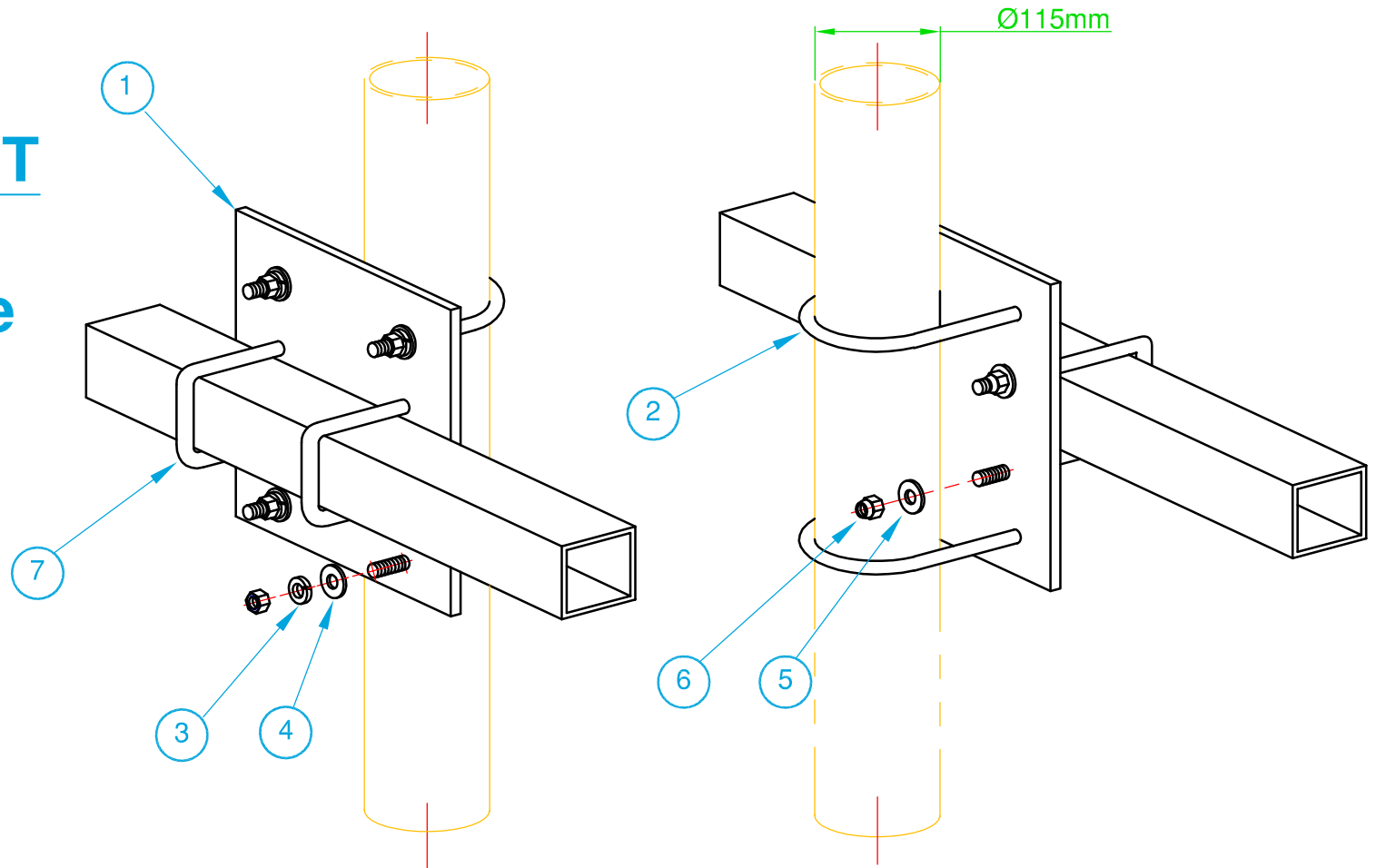


# Assembly Sketch

## S48-120 CLAMP KIT

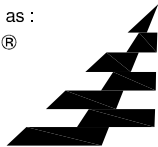
To suit Ø115 Tube  
and 25mm SHS



### PARTS SUPPLIED:

7	U-Bolt, Square, M8 x 28mm Gap x 48 length, Stainless Steel	2
6	Nut, Nyloc, Hex, M8, Stainless Steel Gr. 316	4
5	Washer, Flat, M8, Stainless Steel	4
4	Washer, Flat, M12, Galvanised	4
3	Spring Washer, Galvanised, M12	4
2	U-Bolt, Galvanised, M12, 115mm Gap c/w Nuts	2
1	Clamp Plate, Stainless Steel, 210 x 150 x 6mm	1
Item	Description	Quantity

**G-Tech** Communication Services Pty. Ltd. Trading as :  
**ZCG SCALAR**<sup>®</sup>  
 DESIGNERS AND MANUFACTURERS OF RADIO FREQUENCY ANTENNAS  
 Hall Street, Lindenow, Victoria, Australia.  
 Tel: (03) 5157 1203 Fax: (03) 5157 1641



Copyright - **G-Tech** Communication Services Pty. Ltd. No part of  
 this Drawing is to be reproduced without Written Authority

1216-7-B.DWG LM 18-03-22

Approved: GK 21-03-22