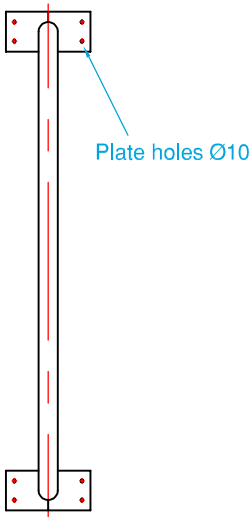
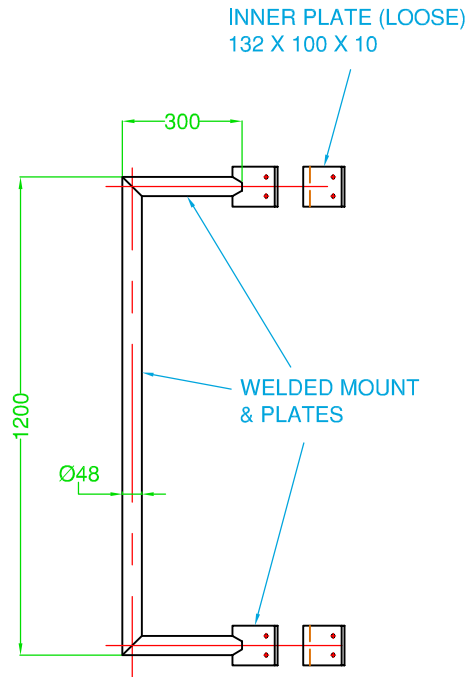


PLAN VIEW



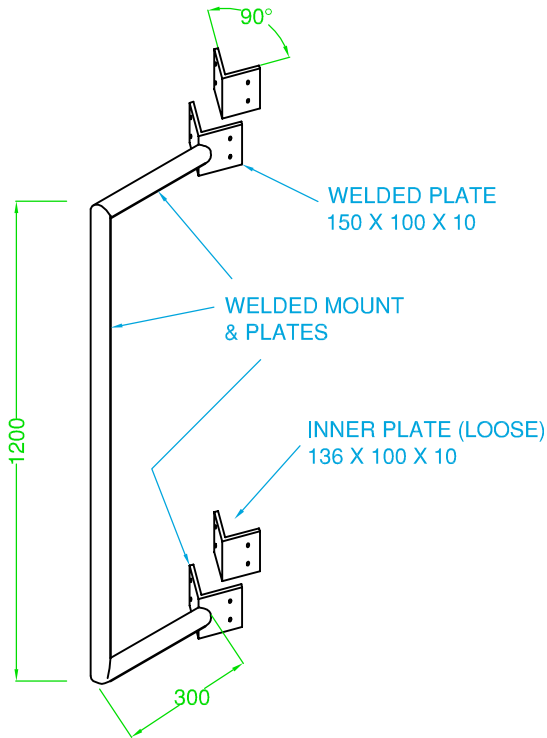
**FRONT VIEW
- LOOKING TOWARDS TOWER**



SIDE VIEW

NOTES:

- Ref: Comms. Systems GWA Antenna Mount for Corner of EMS Tower - Drg. No. A1864DKDRAFT Rev. A 3.8.10 (with handdrawn amendment re: 300mm stand-off)
- All welds 6mm continuous fillet welds U.N.O.
- Mount & Plates all hot dip galvanised
- All fasteners M8, SS



ISOMETRIC VIEW

PARTS LIST

- 1 x Welded Mount & Plates - Hot Dip Galvanised
- 2 x Inner Plate - Hot Dip Galvanised
- 8 x Bolts, SS, M8
- 16 x Washers, SS M8
- 8 x Nuts, Nex Hd, SS, M8

STB-300 ANTENNA MOUNT

G-Tech Communication Services Pty. Ltd. Trading as :

ZCG SCALAR®

DESIGNERS AND MANUFACTURERS OF RADIO FREQUENCY ANTENNAS

Hall Street, Lindenow, Victoria, Australia.
Tel: (03) 5157 1203 Fax: (03) 5157 1641

