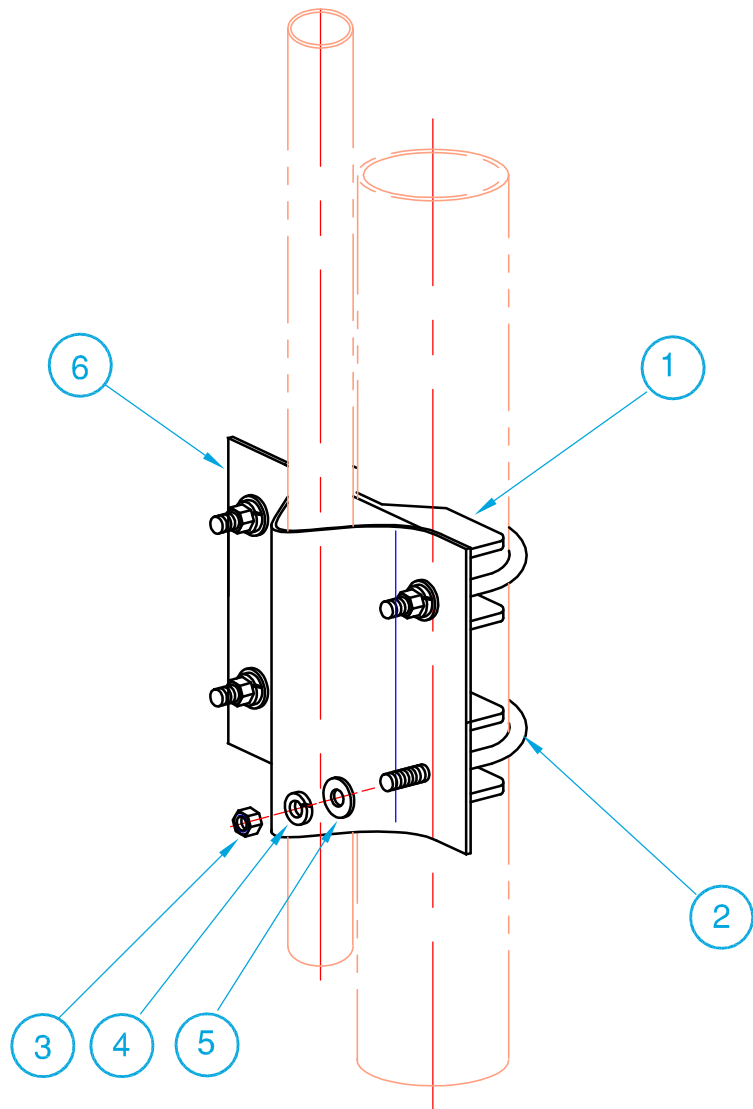
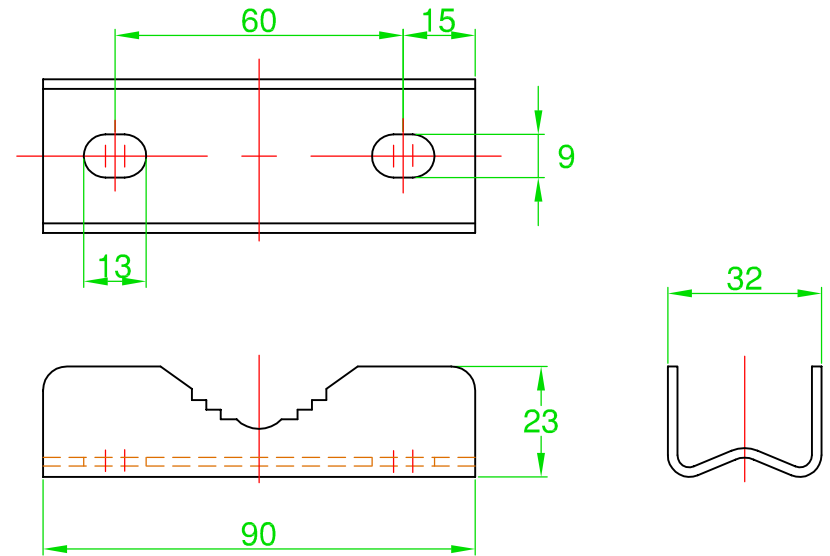


DO NOT SCALE



Assembly Sketch
UB3SS CLAMP



Vee Block Detail

Parts Supplied:

7	Assembly Instructions Sheet	1
6	SS Clamp Plate, 2.0mm Thick	1
5	Washer, Flat, Stainless Steel, Dia 8mm	4
4	Washer, Spring, Stainless Steel, Dia 8mm	4
3	Nut, Hex., Stainless Steel, M8	4
2	U - Bolt, Stainless Steel, M8, 52 Gap x 90 deep	2
1	Vee-Block Clamp, Stainless Steel	2
Item	Description	Qty.

G-Tech Communication Services Pty. Ltd. Trading as :
ZCG SCALAR[®]
DESIGNERS AND MANUFACTURERS OF RADIO FREQUENCY ANTENNAS
Hall Street, Lindenow, Victoria, Australia.
Tel: (03) 5157 1203 Fax: (03) 5157 1641



COPYRIGHT - **G-Tech** COMMUNICATION SERVICES PTY.LTD.
NO PART OF THIS DRAWING IS TO BE REPRODUCED WITHOUT
WRITTEN PERMISSION.