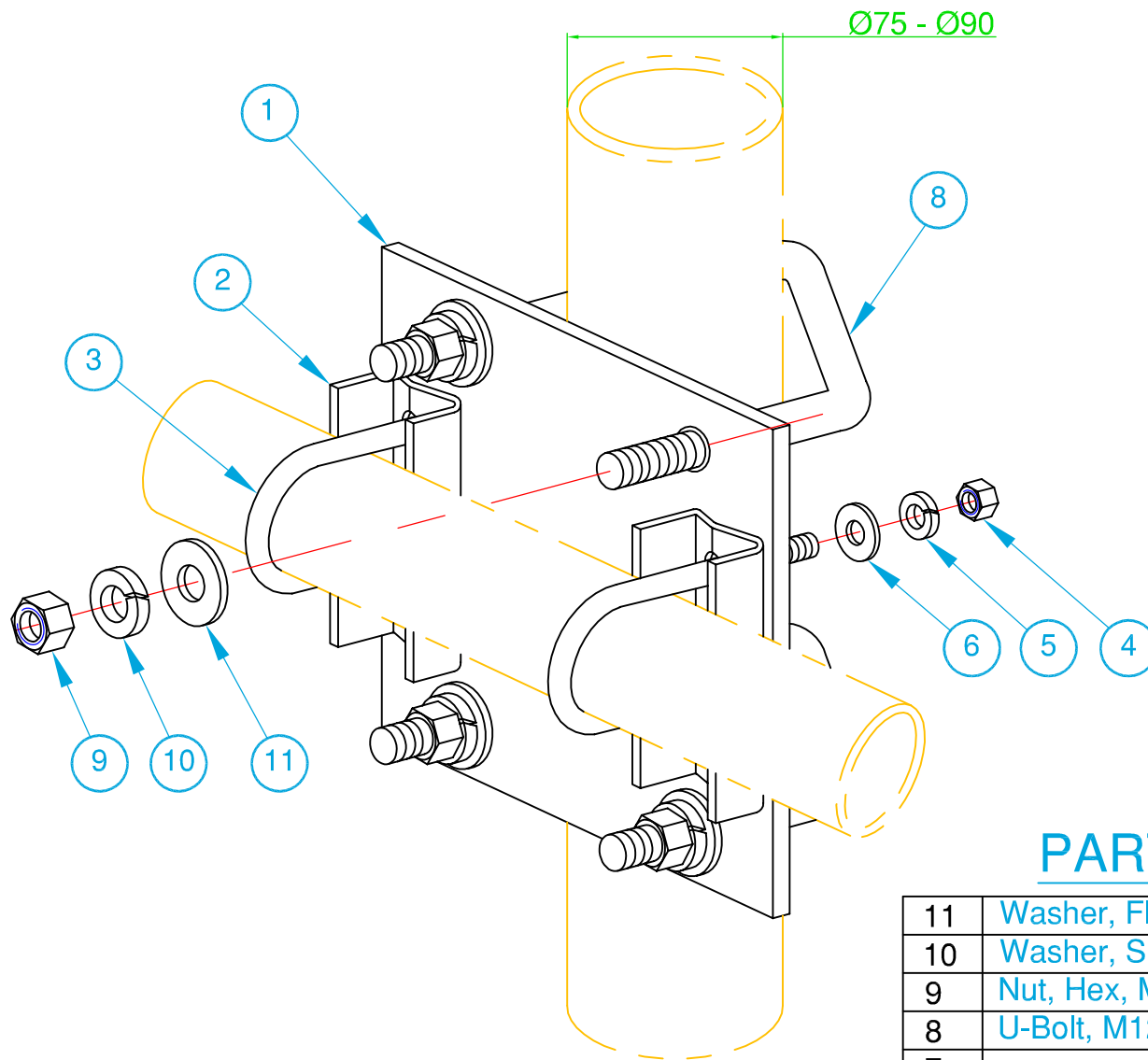


Assembly Sketch

Y2300SS-XL CLAMP KIT Stainless Steel

To suit $\varnothing 70 - \varnothing 90$ Mount Tube



PARTS SUPPLIED:

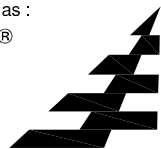
11	Washer, Flat, M12, Stainless Steel	4
10	Washer, Spring, M12, Stainless Steel	4
9	Nut, Hex, M12, Stainless Steel	4
8	U-Bolt, M12 x 90 Gap x 140, Stainless Steel	2
7		
6	Washer, Flat, M8, Stainless Steel	4
5	Washer, Spring, M8, Stainless Steel	4
4	Nut, Hex, M8, Galvanised	4
3	U-Bolt, M8 x 52 Gap x 88, Stainless Steel Gr. 304	2
2	Vee Block, Small, Stainless Steel	2
1	Clamp Plate, Stainless Steel	1
Item	Description	Quantity

G-Tech Communication Services Pty. Ltd. Trading as :

ZCG SCALAR[®]

DESIGNERS AND MANUFACTURERS OF RADIO FREQUENCY ANTENNAS

Hall Street, Lindenow, Victoria, Australia.
Tel: (03) 5157 1203 Fax: (03) 5157 1641



Copyright - **G-Tech** Communication Services Pty. Ltd. No part of this Drawing is to be reproduced without Written Authority

1221-4-B.dwg LM 31-03-11

Approved: RG 01-04-11

Rev. 2. 23-06-15