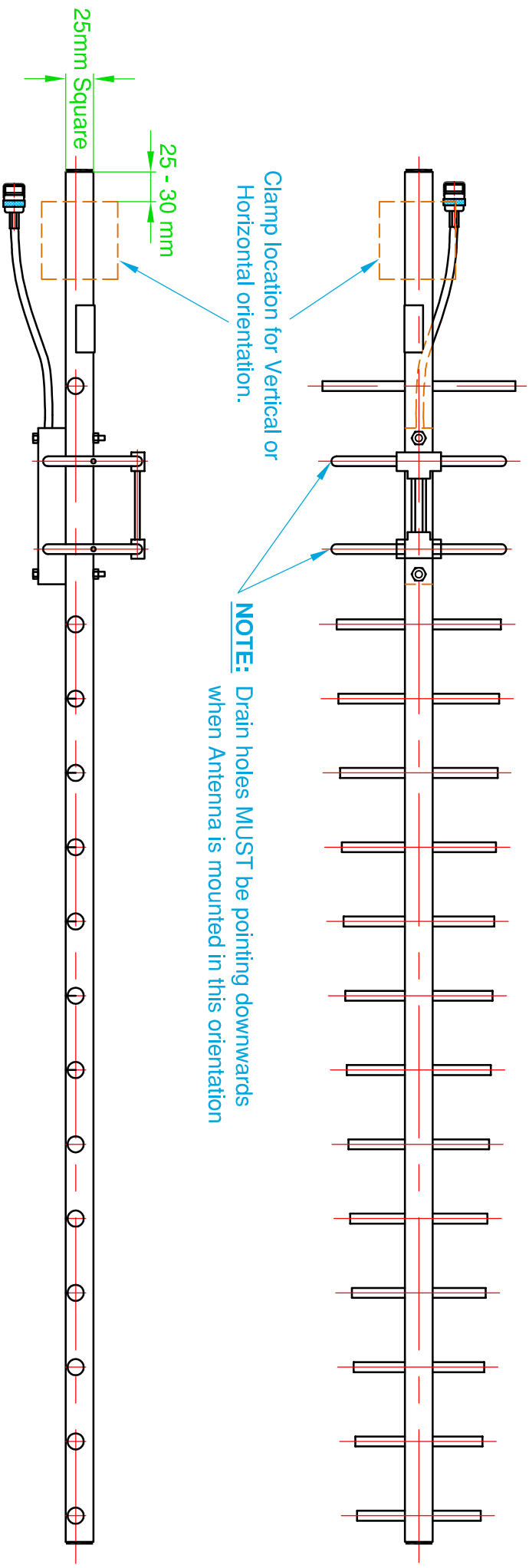


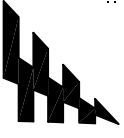
FREQUENCY: 520 - 820 MHz



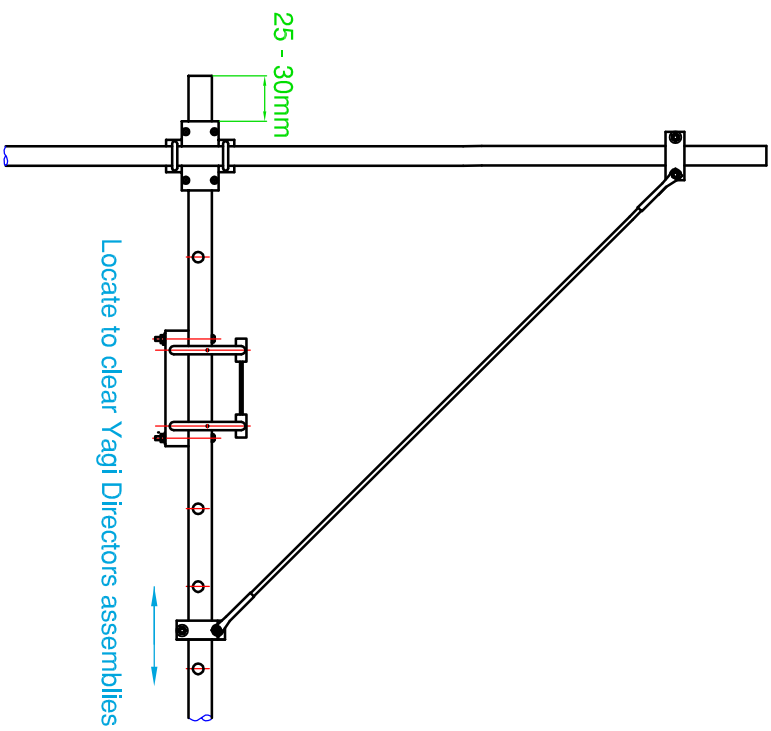
Mounting Clamp Location:

Y615TV Series YAGI ANTENNA

G-Tech Communication Services Pty. Ltd. Trading as:
ZGG SCALAR[®]
DESIGNERS AND MANUFACTURERS OF RADIO FREQUENCY ANTENNAS
Hall Street, Lidcombe, Victoria, Australia
Tel: (03) 5171 1200 Fax: (03) 5171 1941



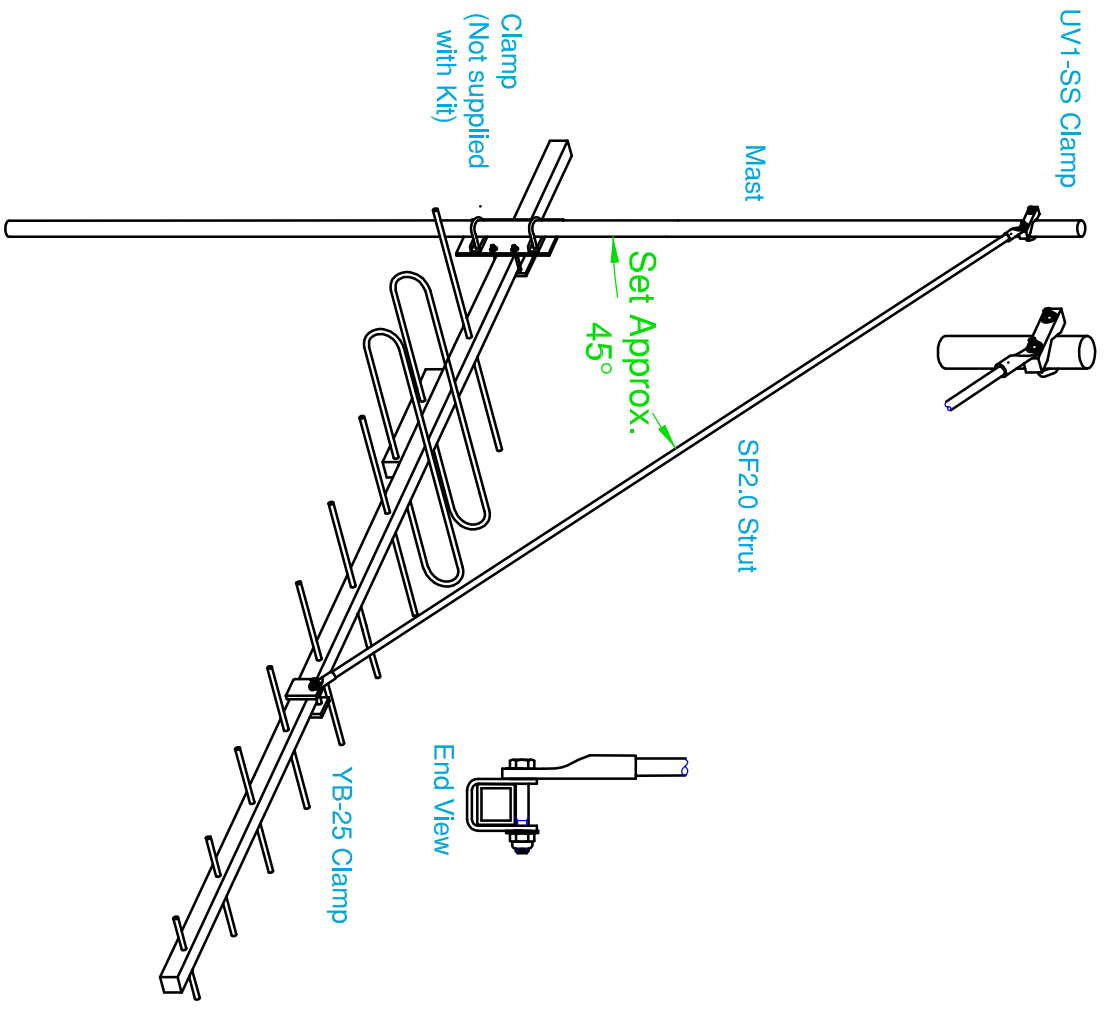
COPYRIGHT - **G-Tech** COMMUNICATION SERVICES PTY. LTD.
NO PART OF THIS DRAWING IS TO BE REPRODUCED WITHOUT
WRITTEN PERMISSION.



- This **STRUT KIT** contains these items and quantities:
- 1 - SF Fibreglass Strut with In-line Lugs
 - 1 - UV1-SS Clamp Kit
 - 1 - YB-25 Clamp Kit

Assembly Sketch

Y615TV STRUT KIT

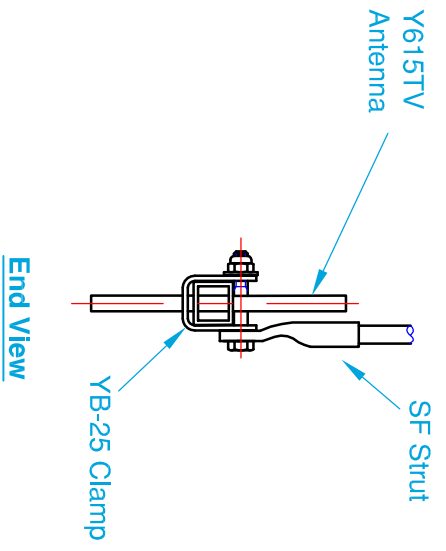
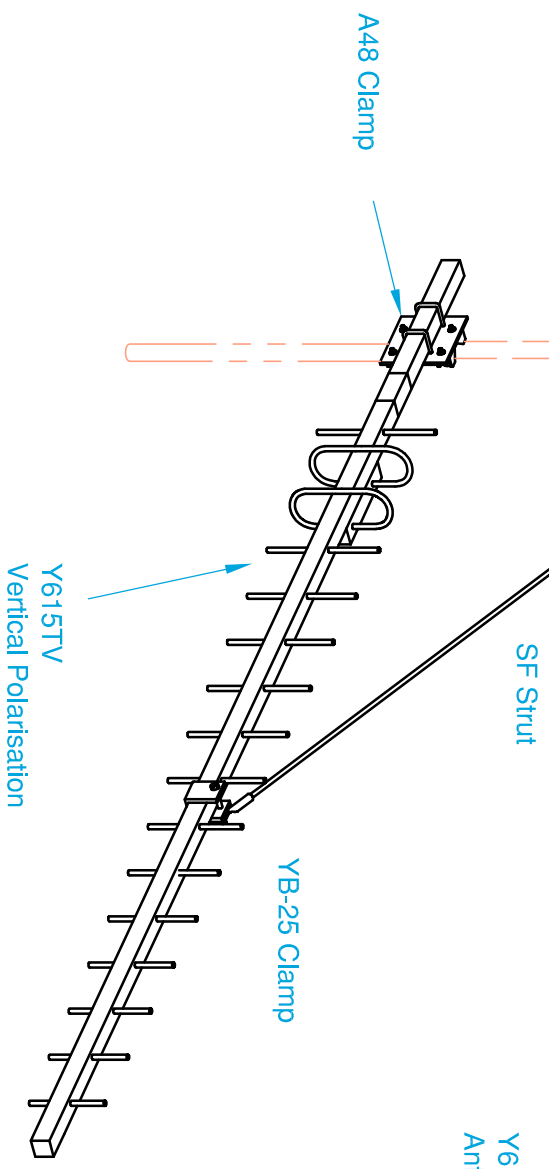


G-Tech Communication Services Pty. Ltd. Trading as :
ZCG SCALAR®
DESIGNERS AND MANUFACTURERS OF RADIO FREQUENCY ANTENNAS
Hill Street, Lindtrow, Victoria, Australia.
Tel. (03) 5157 1203 Fax. (03) 5157 7041



COPYRIGHT - **G-Tech** COMMUNICATION SERVICES PTY. LTD.
NO PART OF THIS DRAWING IS TO BE REPRODUCED WITHOUT
WRITTEN PERMISSION.

- UV1-SS
- UV1-SS
- Top View**
- YS1-48 STRUT KIT** contains:
 - 1 x YB-25 Clamp Kit
 - 1 x SF1.5 Fibreglass Strut
 - 1 x UV1-SS Clamp Kit



Assembly Sketch

Y615TV in Vertical Polarisation with YS1-48 Strut Kit

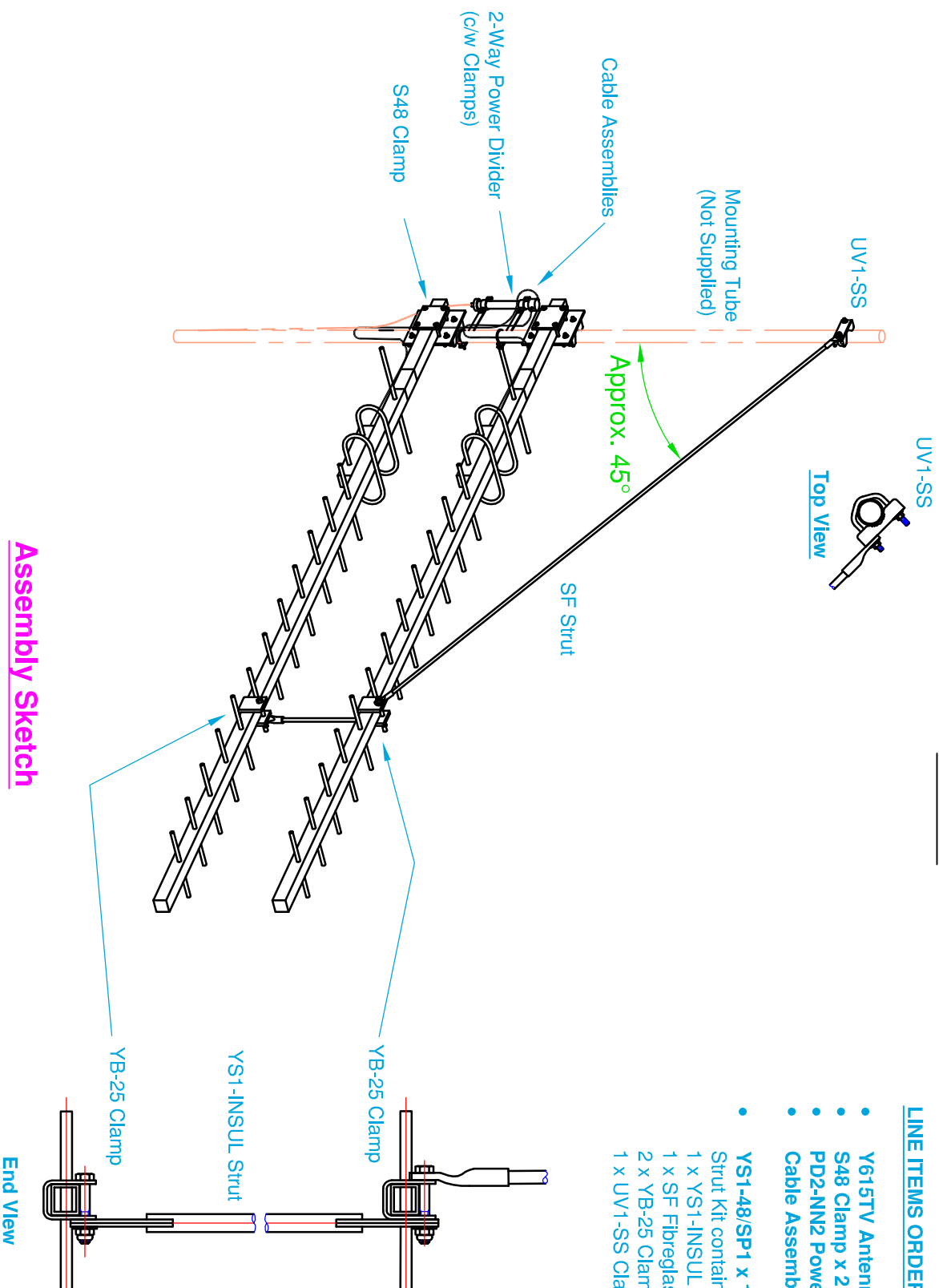
1499-B YS1-48 Vert.dwg
LM 24-09-12
Approved: GK 24-09-12

G-Tech Communication Services Pty. Ltd. Trading as:
ZGG SCALLAR[®]
DESIGNERS AND MANUFACTURERS OF RADIO FREQUENCY ANTENNAS
Hall Street, Underwood, Victoria, Australia.
Tel: (03) 5157 1203 Fax: (03) 5157 1841

SCALLAR[®]

COPYRIGHT - **G-Tech** COMMUNICATION SERVICES PTY. LTD.
NO PART OF THIS DRAWING IS TO BE REPRODUCED WITHOUT WRITTEN PERMISSION.





LINE ITEMS ORDERED

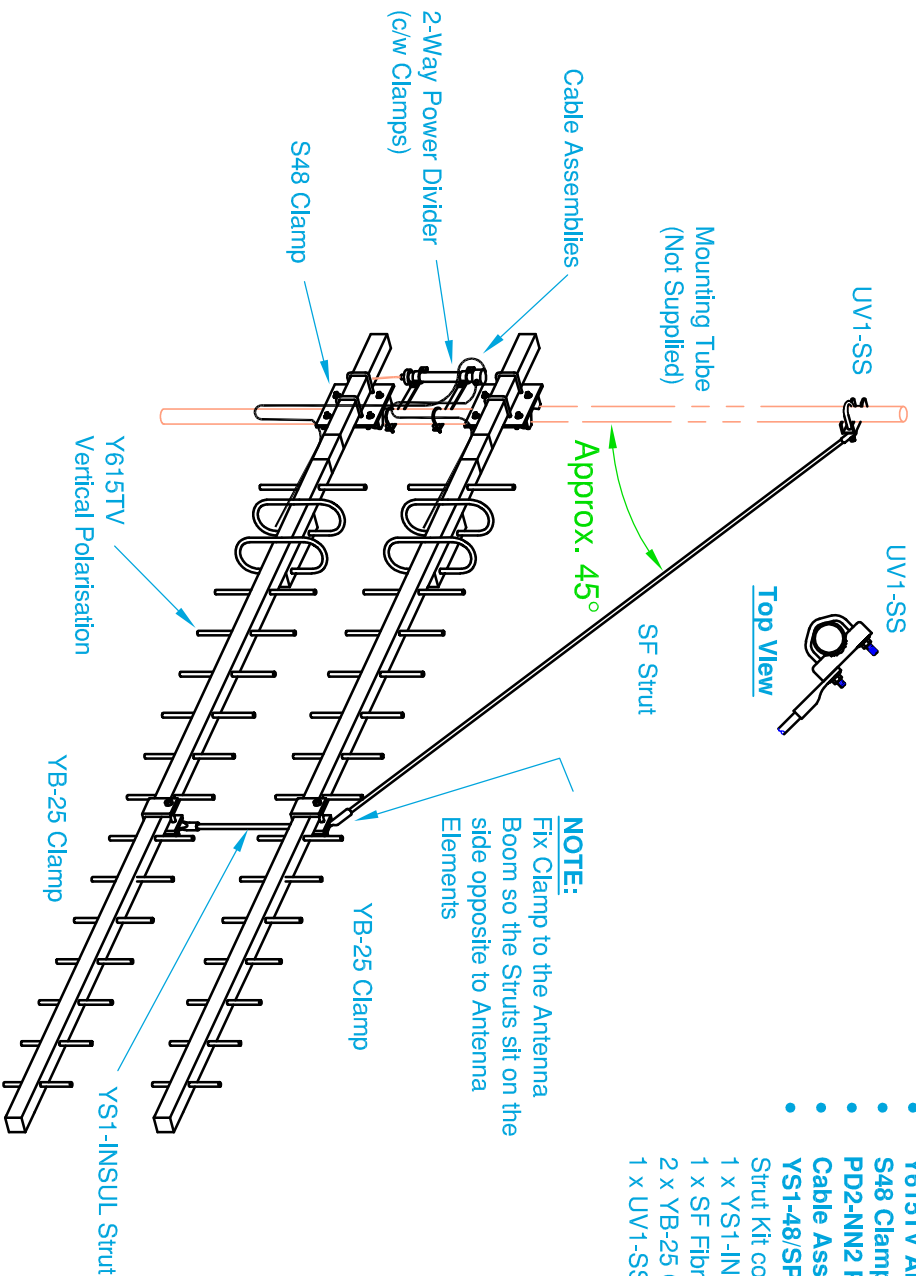
- Y615TV Antenna Assembly x 2
 - S48 Clamp x 2
 - PD2-NN2 Power Divider x 1 (c/w PDC-S Clamp x 2)
 - Cable Assembly x 2
 - YS1-48/SP1 x 1
- Strut Kit contains these items and quantities:
- 1 x YS1-INSUL Strut with Insulating Lugs
 - 1 x SF Fibreglass Strut
 - 2 x YB-25 Clamp Kit
 - 1 x UV1-SS Clamp Kit

Assembly Sketch

**Y615TV
2- Stack Array
with Power Divider
& Strut Kit**

End View



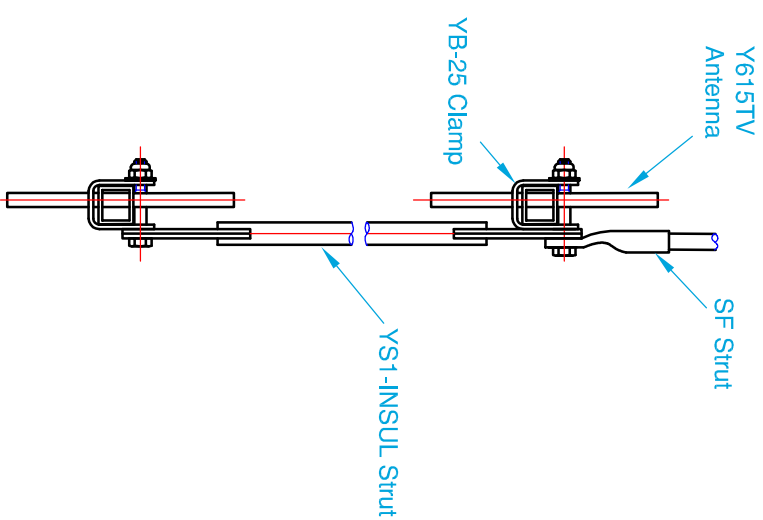


NOTE:
Fix Clamp to the Antenna Boom so the Struts sit on the side opposite to Antenna Elements

LINE ITEMS ORDERED

- Y615TV Antenna Assembly x 2
- S48 Clamp x 2
- PD2-NN2 Power Divider x 1 (c/w PDC-S Clamp x 2)
- Cable Assembly x 2
- YS1-48/SP1 x 1

Strut Kit contains these items and quantities:
 1 x YS1-INSUL Strut with insulating lugs
 1 x SF Fibreglass Strut
 2 x YB-25 Clamp Kit
 1 x UV1-SS Clamp Kit



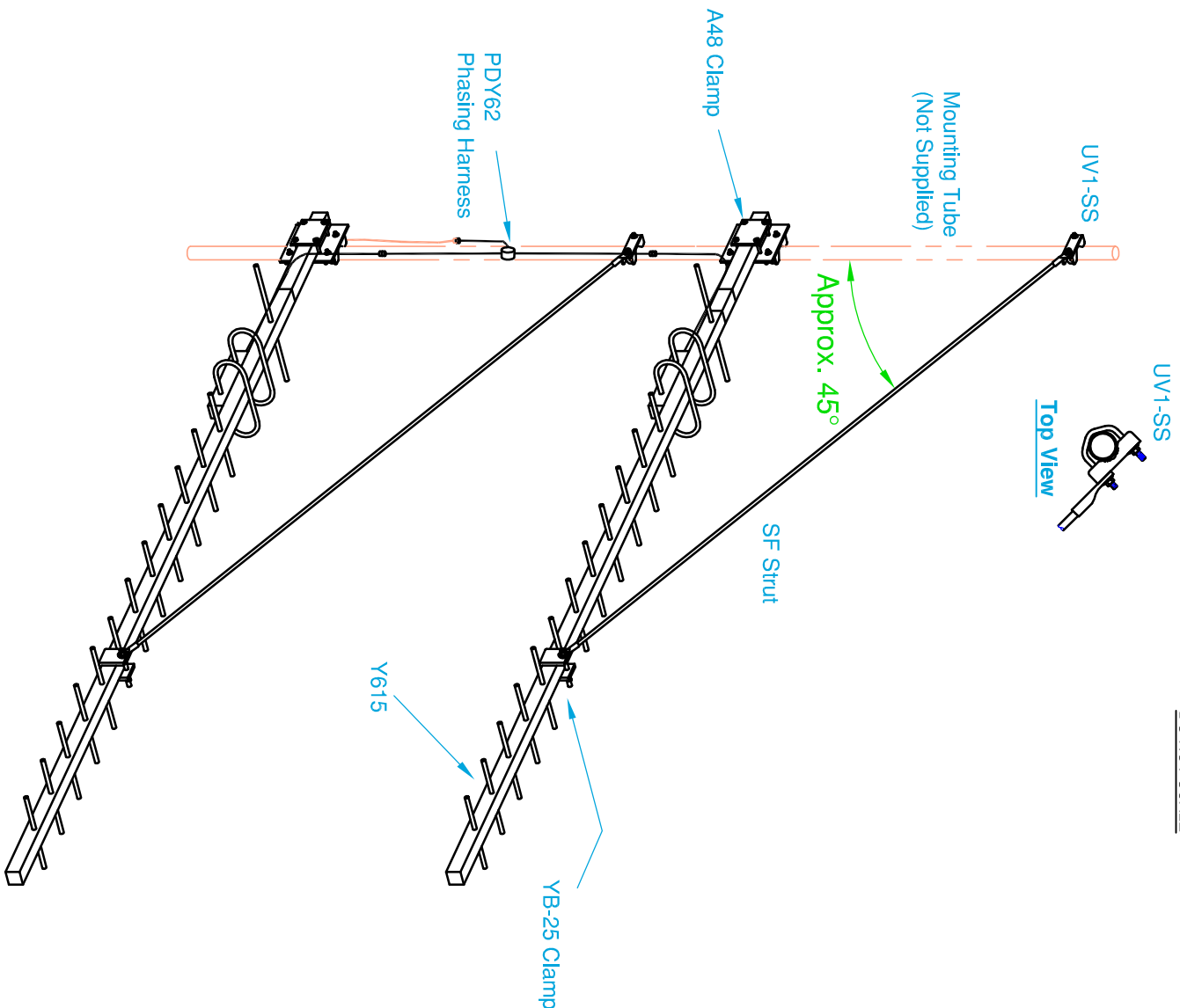
Assembly Sketch

Y615TV

**2- Stack Array
Vertically Polarised
with Power Divider
& Strut Kit**

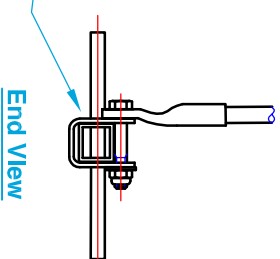
End View





LINE ITEMS ORDERED

- Y615TV Antenna Assembly x 2
 - A48 Clamp x 2
 - PDY62 Phasing Harness
 - YS1-48 x 2
- Strut Kit contains these items and quantities:
- 1 x SF Fibreglass Strut
 - 1 x YB-25 Clamp Kit
 - 1 x UV1-SS Clamp Kit



End View

Assembly Sketch

**Y615TV
2- Stack Array
with Phasing Harness
& Strut Kit**

(G-Tech) Communication Services Pty. Ltd. Trading as:
ZCG SCALAR[®]
DESIGNERS AND MANUFACTURERS OF RADIO FREQUENCY ANTENNAS
Hall Street, Lindendow, Victoria, Australia.
Tel: (03) 5157 1209 Fax: (03) 5157 7641

