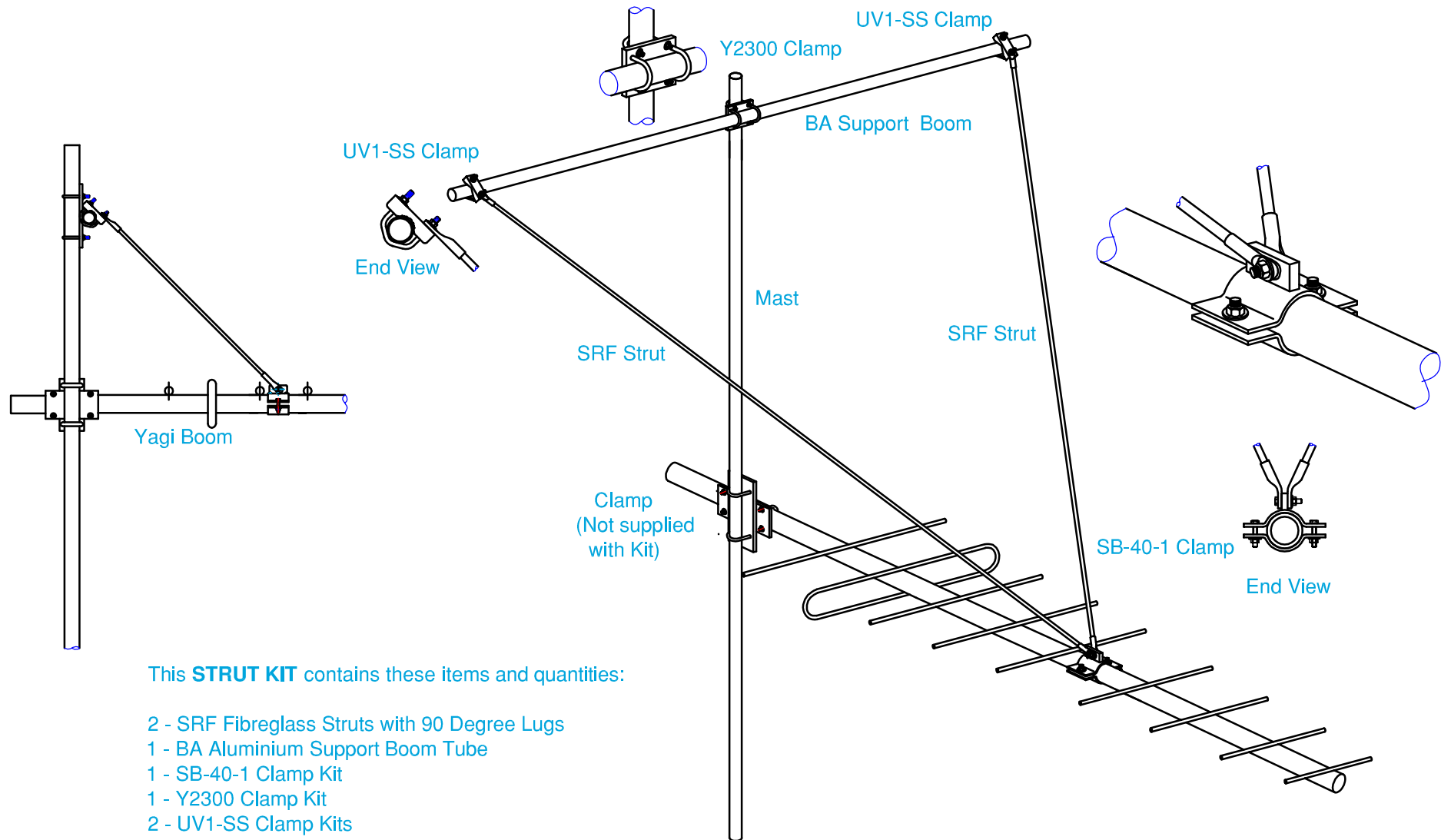


DO NOT SCALE



This **STRUT KIT** contains these items and quantities:

- 2 - SRF Fibreglass Struts with 90 Degree Lugs
- 1 - BA Aluminium Support Boom Tube
- 1 - SB-40-1 Clamp Kit
- 1 - Y2300 Clamp Kit
- 2 - UV1-SS Clamp Kits

Assembly Sketch

YS2-23 STRUT KIT

G-Tech Communication Services Pty. Ltd. Trading as :
ZCG SCALAR®
DESIGNERS AND MANUFACTURERS OF RADIO FREQUENCY ANTENNAS
Hall Street, Lindenow, Victoria, Australia.
Tel: (03) 5157 1203 Fax: (03) 5157 1641

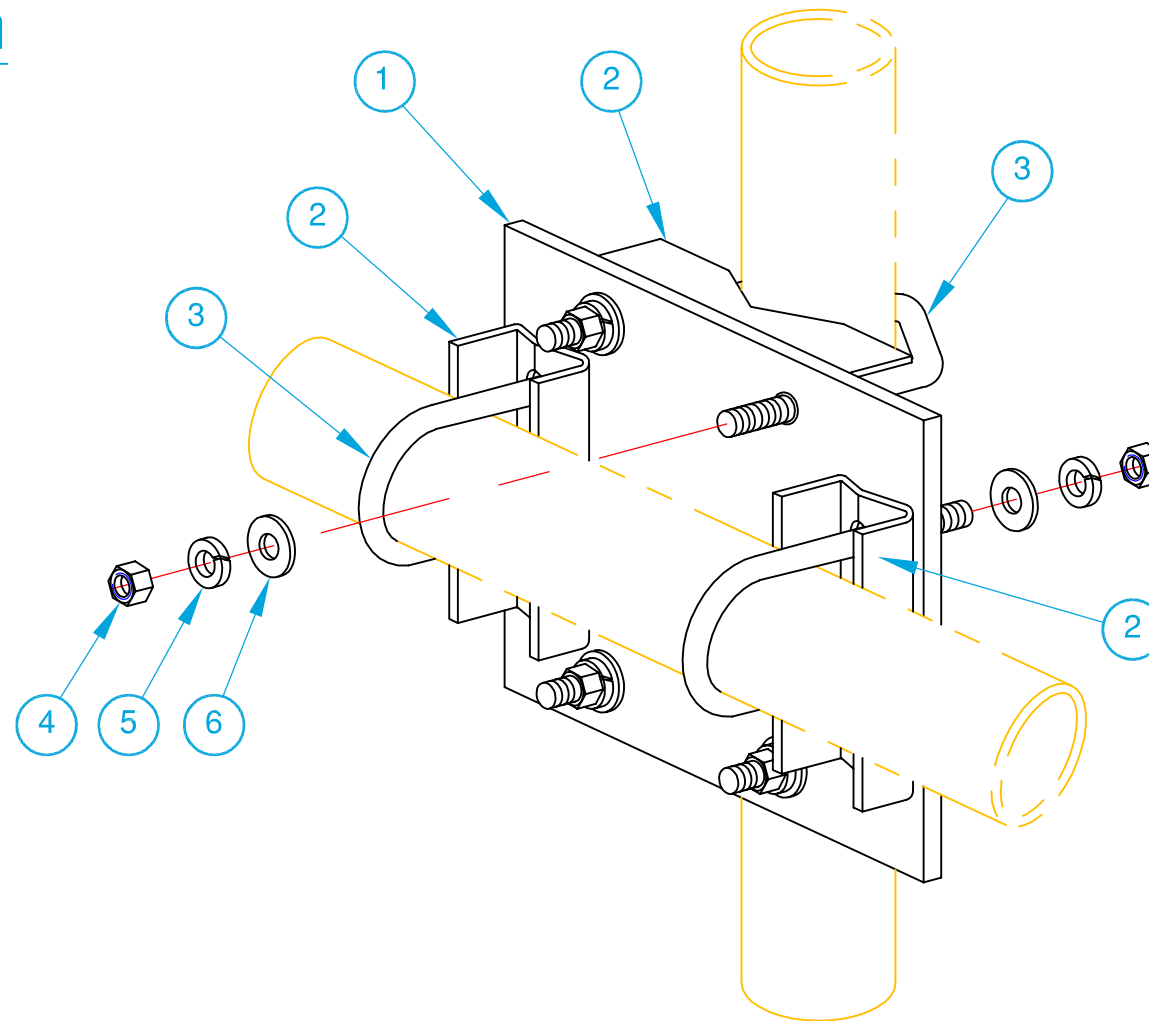


COPYRIGHT - **G-Tech** COMMUNICATION SERVICES PTY.LTD.
NO PART OF THIS DRAWING IS TO BE REPRODUCED WITHOUT
WRITTEN PERMISSION.

Assembly Sketch

Y2300SS CLAMP KIT

Stainless Steel



PARTS SUPPLIED:

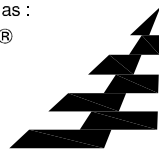
6	Washer, Flat, M8, Stainless Steel	8
5	Washer, Spring, M8, Stainless Steel	8
4	Nut, Hex, M8, Galvanised	8
3	U-Bolt, M8 x 52 Gap x 88, Stainless Steel Gr. 304	4
2	Vee Block, Stainless Steel	4
1	Clamp Plate, Stainless Steel	1
Item	Description	Quantity

G-Tech Communication Services Pty. Ltd. Trading as :

ZCG SCALAR[®]

DESIGNERS AND MANUFACTURERS OF RADIO FREQUENCY ANTENNAS

Hall Street, Lindenow, Victoria, Australia.
Tel: (03) 5157 1203 Fax: (03) 5157 1641



Copyright - **G-Tech** Communication Services Pty. Ltd. No part of this Drawing is to be reproduced without Written Authority

1221-B.dwg LM 03-08-10

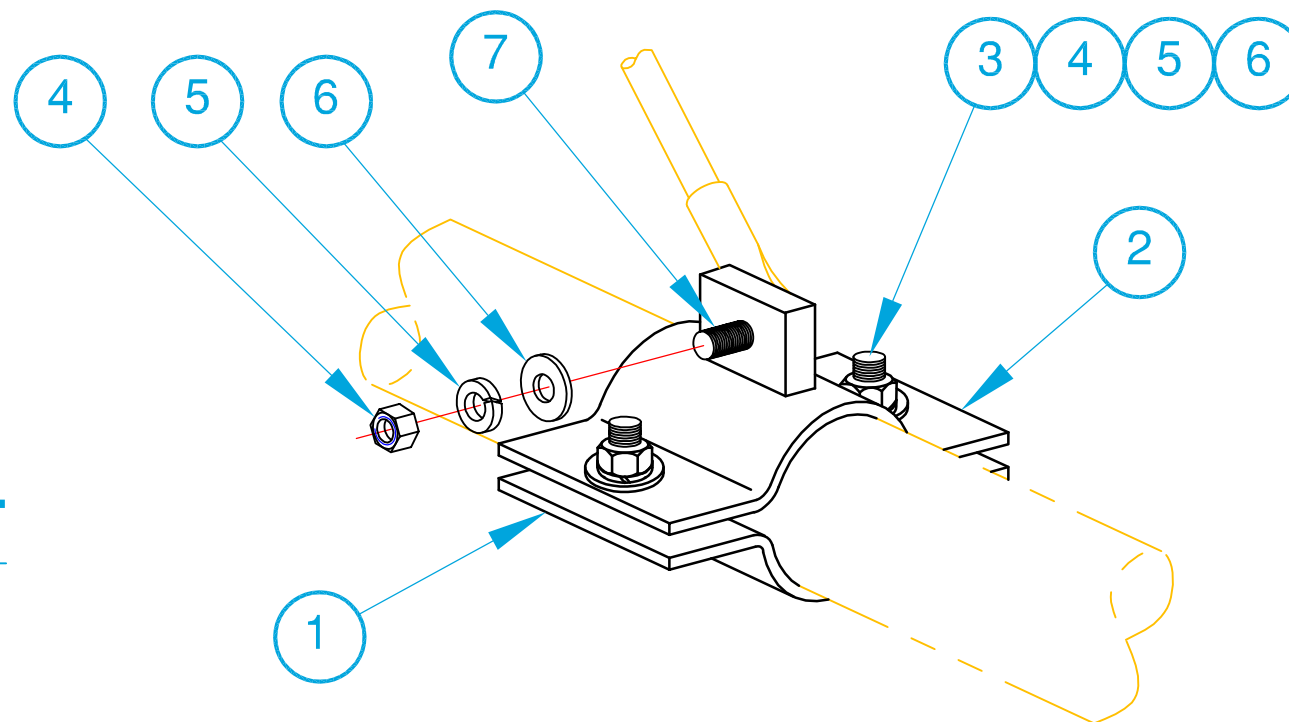
Approved: RG 03-08-10

Rev. 2. LM 09-06-15

Assembly Sketch

SB-40-1 CLAMP KIT

Stainless Steel



PARTS SUPPLIED:

7	Bolt, M8 x 20, Stainless Steel Gr. 304	1
6	Washer, Flat, Stainless Steel Gr. 304	3
5	Washer, Spring, Stainless Steel Gr. 304	3
4	Nut, Hex, Stainless Steel Gr. 316	3
3	Bolt, M8 x 30, Stainless Steel Gr. 304	2
2	Lug Clamp, Stainless Steel, Radius 40 mm	1
1	Clamp, Stainless Steel, Radius 40 mm	1
Item	Description	Quantity.

G-Tech Communication Services Pty. Ltd. Trading as :
ZCG SCALAR[®]
DESIGNERS AND MANUFACTURERS OF RADIO FREQUENCY ANTENNAS
Hall Street, Lindenow, Victoria, Australia.
Tel: (03) 5157 1203 Fax: (03) 5157 1641



Copyright - **G-Tech** Communication Services Pty. Ltd. No part of this Drawing is to be reproduced without Written Authority

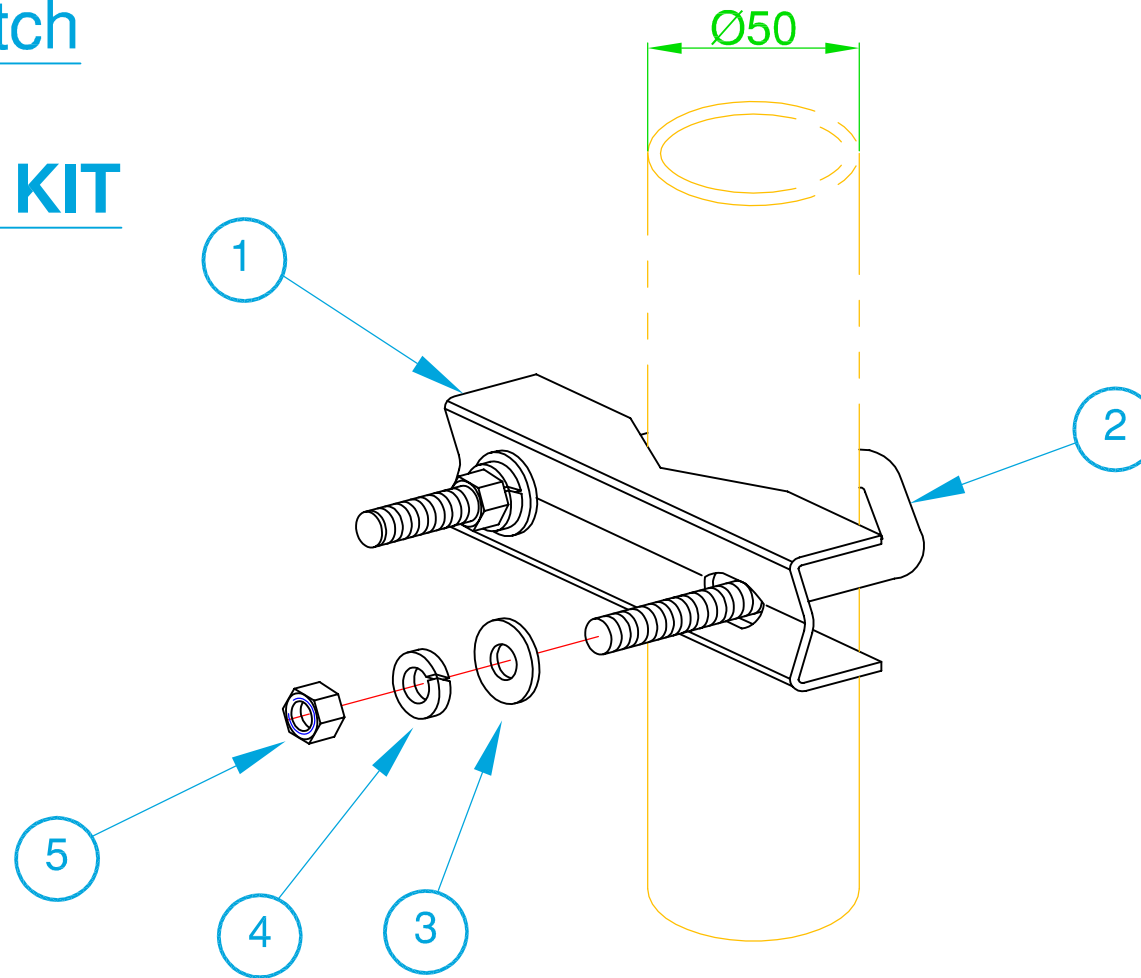
1520-B.dwg LM 22-07-10

Approved: RG 23-07-10

Assembly Sketch

UV1SS CLAMP KIT

Stainless Steel



PARTS SUPPLIED:

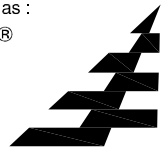
5	Nut, Hex, Galvanised	2
4	Washer, Spring, Stainless Steel Gr. 304	2
3	Washer, Flat, Stainless Steel Gr. 304	2
2	U-Bolt, M8 x 52 Gap x 88mm, Stainless Steel Gr. 304	1
1	Vee Block, Stainless Steel	1
Item	Description	Quantity

G-Tech Communication Services Pty. Ltd. Trading as :

ZCG SCALAR®

DESIGNERS AND MANUFACTURERS OF RADIO FREQUENCY ANTENNAS

Hall Street, Lindenow, Victoria, Australia.
Tel: (03) 5157 1203 Fax: (03) 5157 1641



Copyright - **G-Tech** Communication Services Pty. Ltd. No part of this Drawing is to be reproduced without Written Authority

1533-B.dwg LM 30-07-10
Rev. 2. Approved: 16-09-21