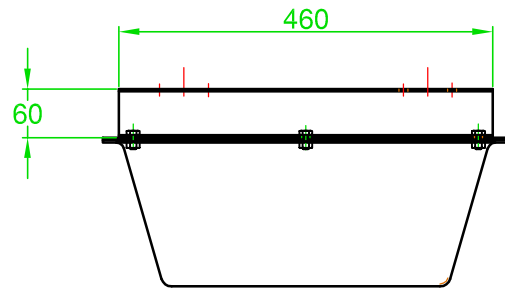


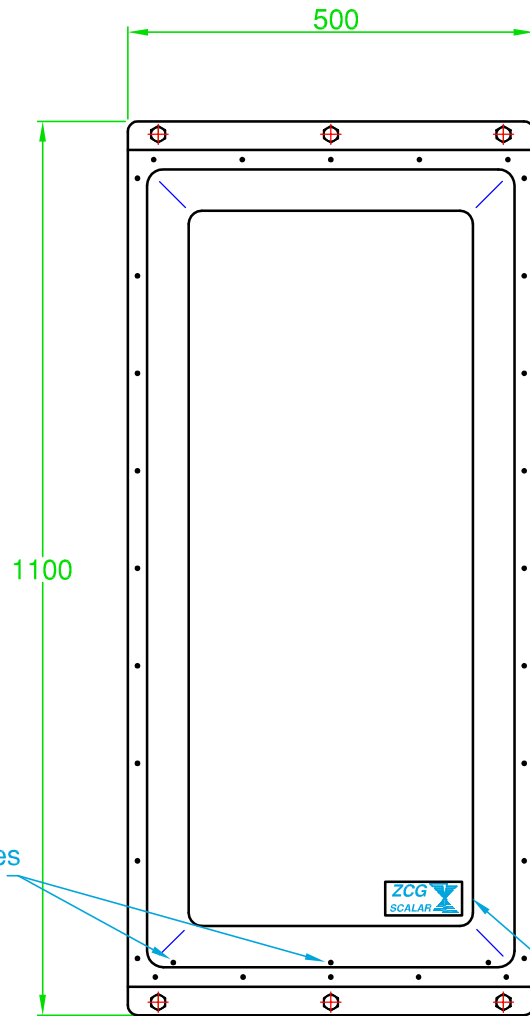
DO NOT SCALE



COPYRIGHT - G-Tech COMMUNICATION SERVICES PTY.LTD.
NO PART OF THIS DRAWING IS TO BE REPRODUCED WITHOUT
WRITTEN PERMISSION.

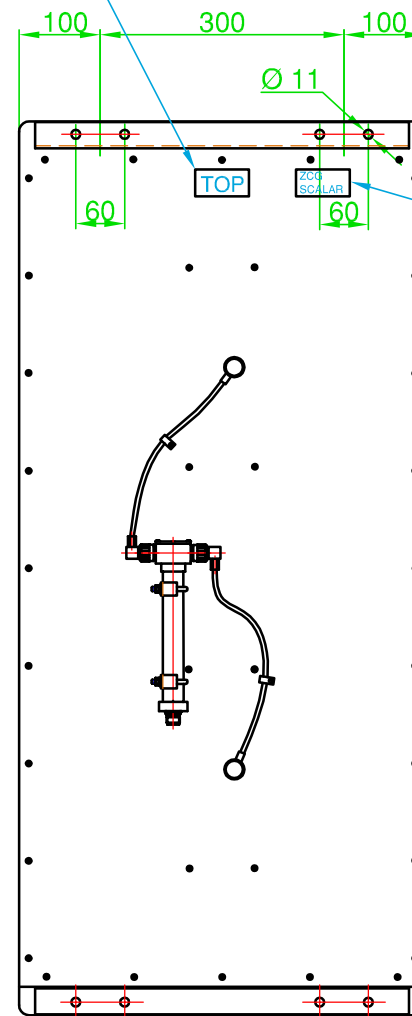
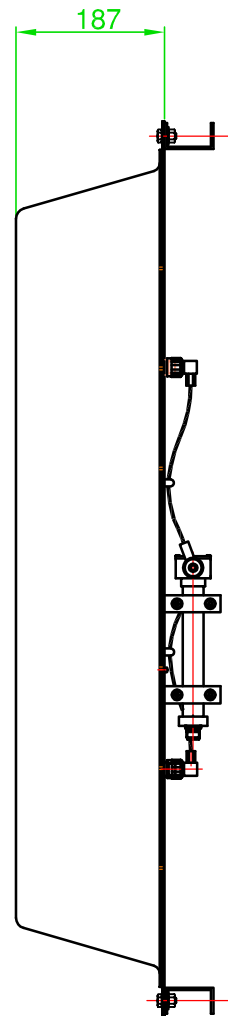


Antenna must be
mounted this way up.



Drain holes

This Label to bottom right
hand corner when mounted.



ZCG SCALAR
Model Number And
Information Label

NOTE:
See second drawing sheet
for mounting options.

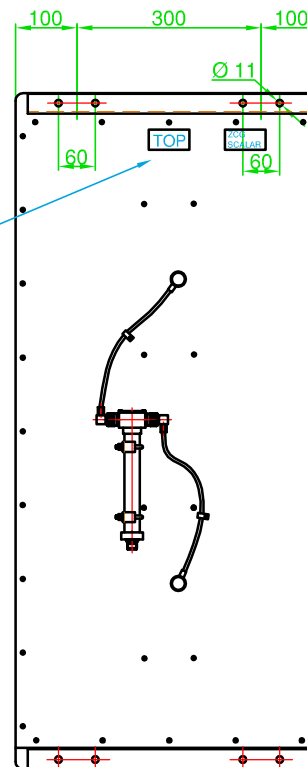
DO NOT SCALE

Maximum Dia. 51mm
for UV1-SS Clamps

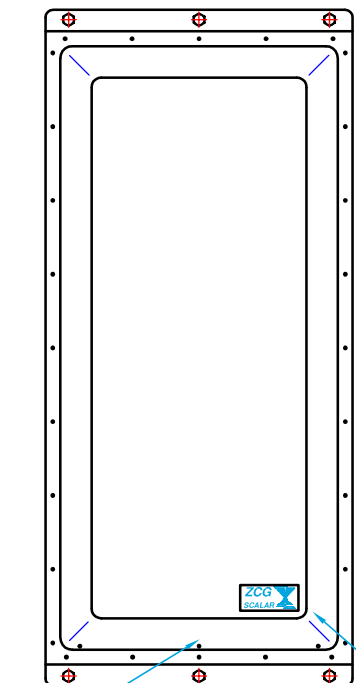
NOTE:
Support Masts / Pipes Not Supplied

ZUHP Antenna
Assembly (with Power
Divider included)

UV1-SS Clamp Kit



Antenna must be
mounted this way up.

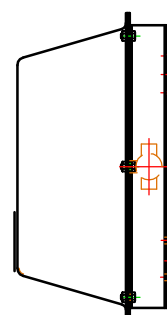


Drain holes

This Label to bottom right
hand corner when mounted.

Drain holes

UV1-SS Clamp Kit



UV1-SS Clamp Kit

ALTERNATIVE mounting
pole locations (NOT BOTH).

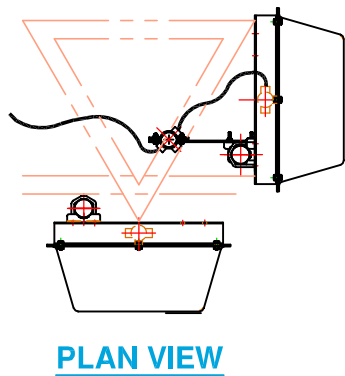
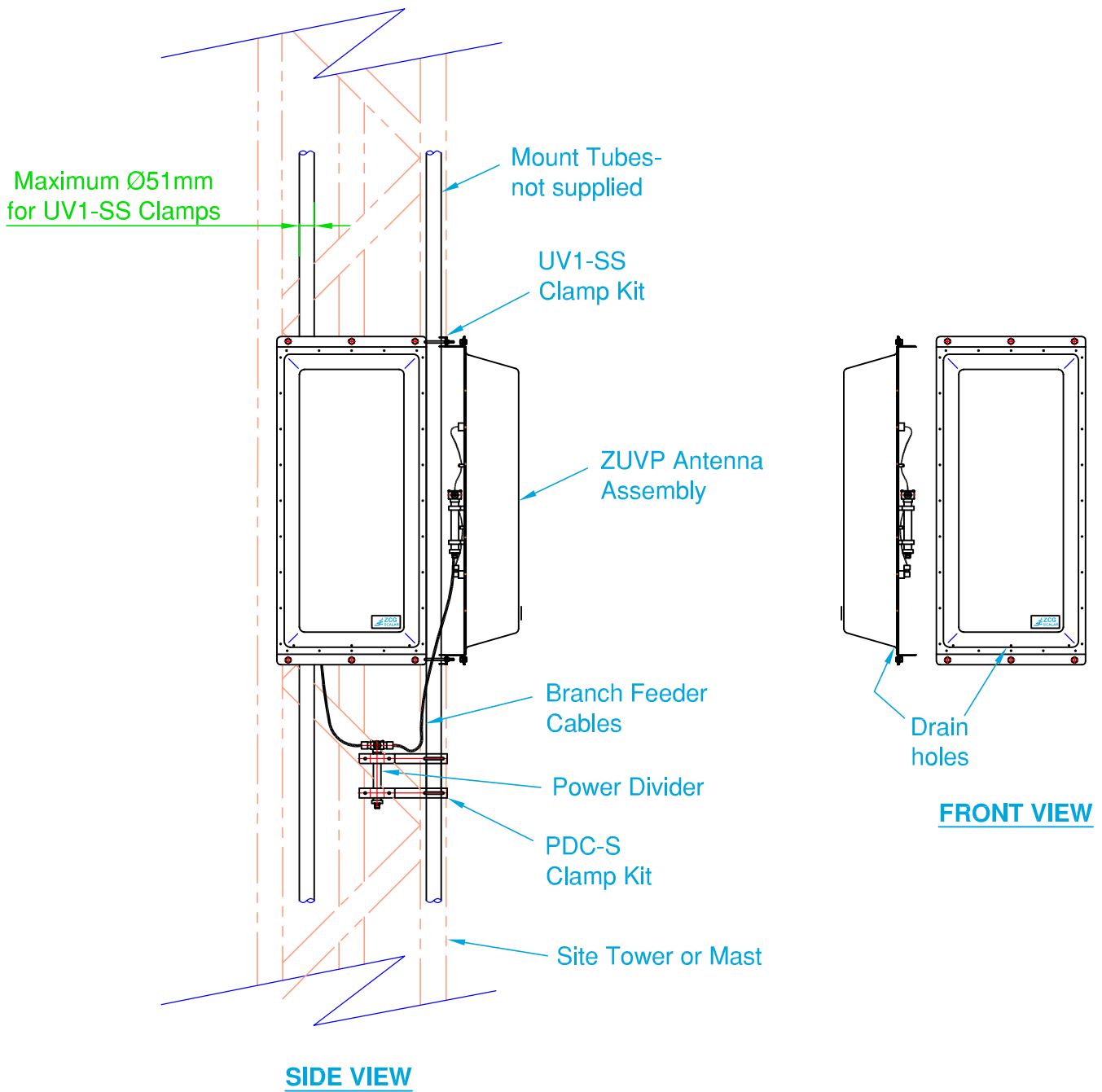
Antenna may also be bolted
to Tower frame on top or
bottom channel sections.

G-Tech Communication Services Pty. Ltd. Trading as :
ZCG SCALAR[®]
 DESIGNERS AND MANUFACTURERS OF RADIO FREQUENCY ANTENNAS
 Hall Street, Lindenow, Victoria, Australia.
 Tel: (03) 5157 1203 Fax: (03) 5157 1641



COPYRIGHT - G-Tech COMMUNICATION SERVICES PTY.LTD.
 NO PART OF THIS DRAWING IS TO BE REPRODUCED WITHOUT
 WRITTEN PERMISSION.

Assembly Sketch ZUVP PANEL ANTENNA ARRAY



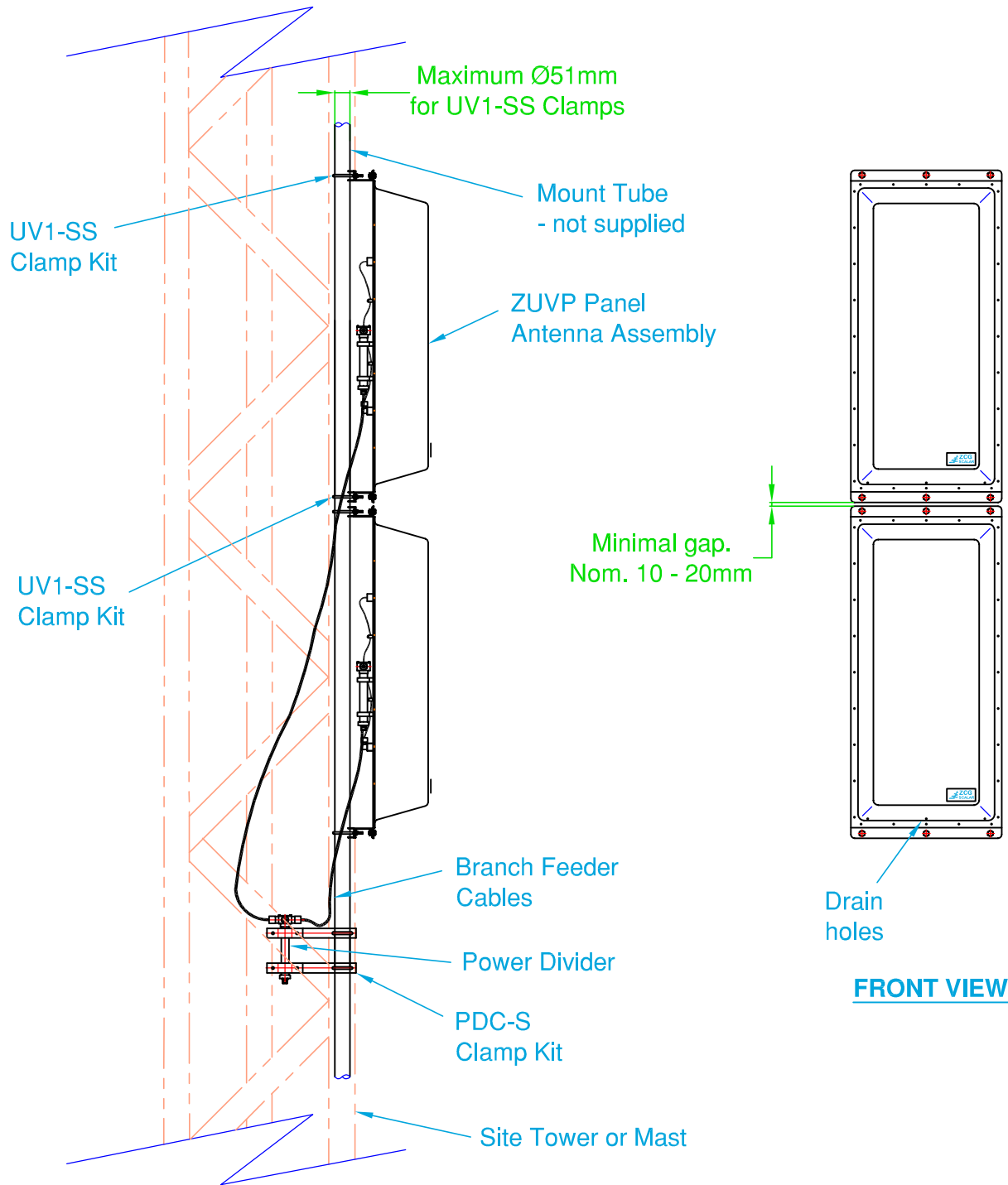
Assembly Sketch

ZVP ANTENNA
1 BAY, 2-PANEL 90° ARRAY

G-Tech Communication Services Pty. Ltd. Trading as:
ZCG SCALAR[®]
 DESIGNERS AND MANUFACTURERS OF RADIO-FREQUENCY ANTENNAS
 1st Street, Underwood, Victoria, Australia.
 Tel: (03) 5157 1203 Fax: (03) 5157 1641

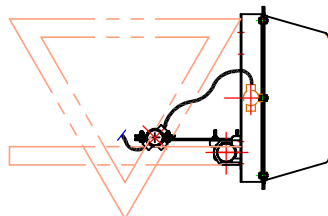


COPYRIGHT - G-Tech COMMUNICATION SERVICES PTY.LTD.
 NO PART OF THIS DRAWING IS TO BE REPRODUCED WITHOUT WRITTEN PERMISSION.



SIDE VIEW

FRONT VIEW



PLAN VIEW

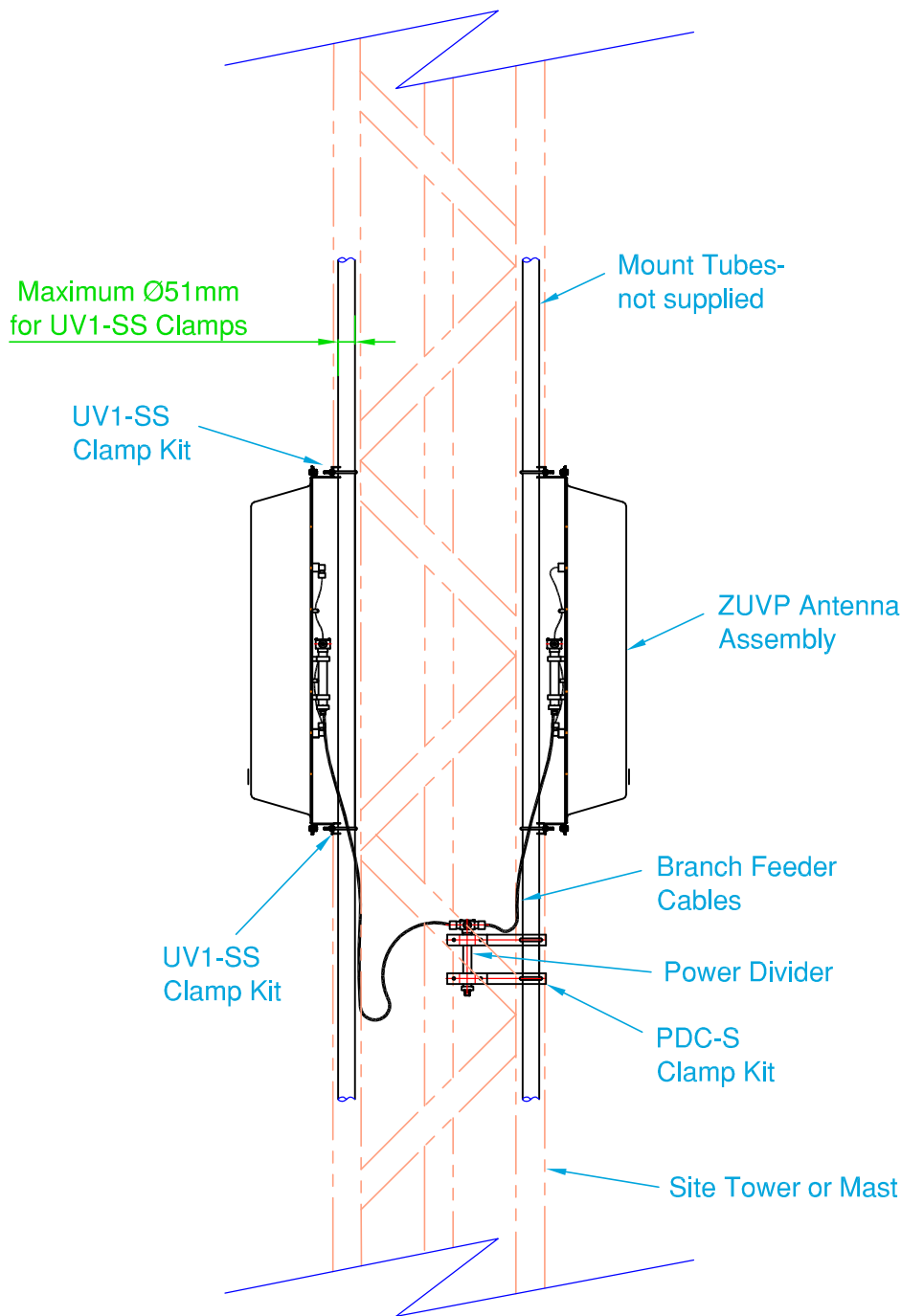
Assembly Sketch

**ZUVP
2-PANEL ANTENNA ARRAY**

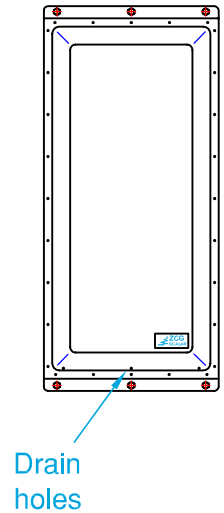
G-Tech Communication Services Pty. Ltd. Trading as:
ZCG SCALAR
 DESIGNERS AND MANUFACTURERS OF RADIO-FREQUENCY ANTENNAS
 1st Street, Underwood, Victoria, Australia.
 Tel: (03) 5157 1203 Fax: (03) 5157 1641



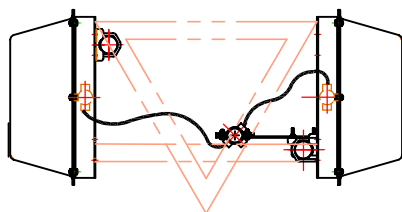
COPYRIGHT - G-Tech COMMUNICATION SERVICES PTY.LTD.
 NO PART OF THIS DRAWING IS TO BE REPRODUCED WITHOUT
 WRITTEN PERMISSION.



SIDE VIEW



FRONT VIEW



PLAN VIEW

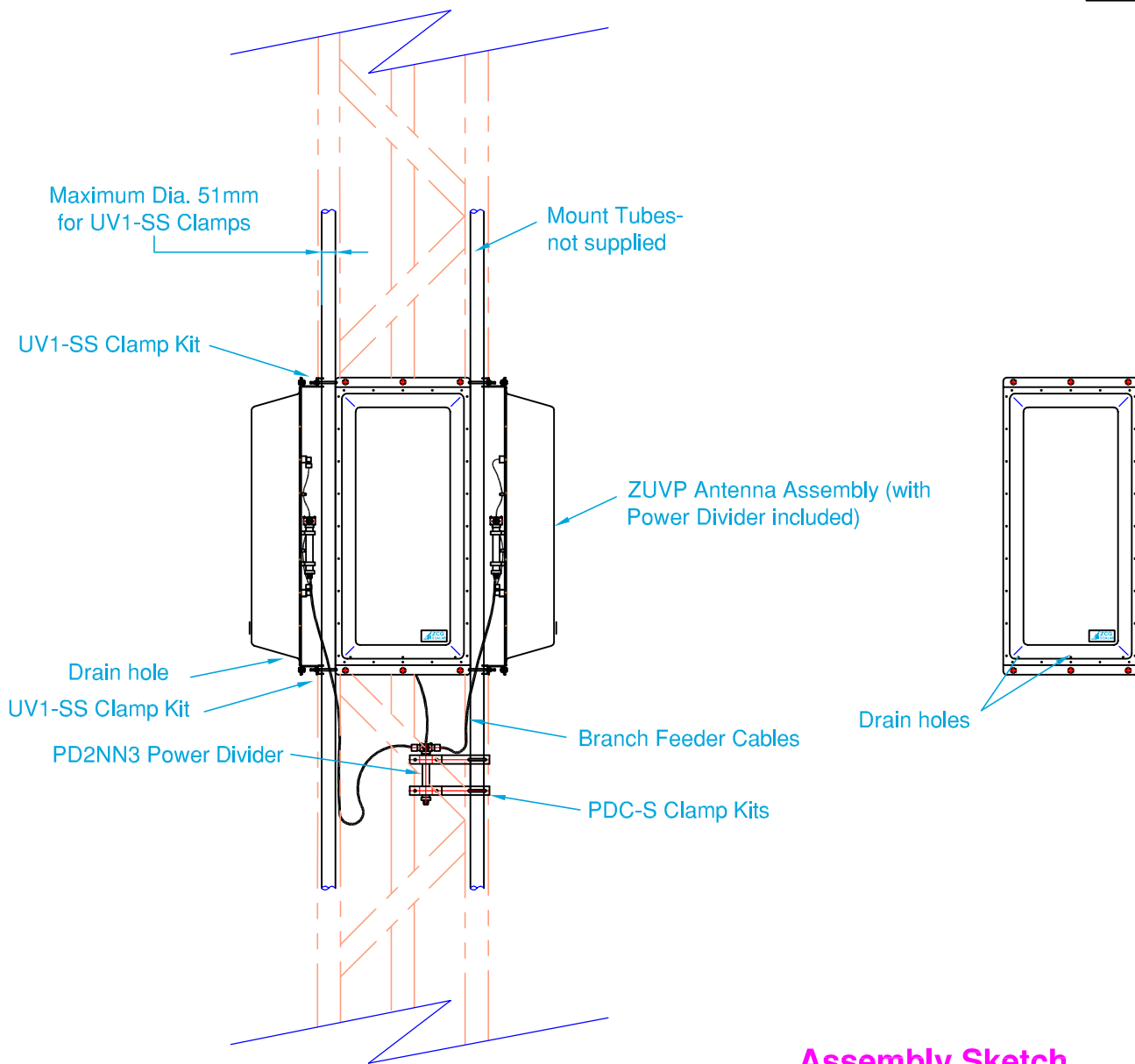
Assembly Sketch

**ZUVP ANTENNA
1 BAY, 2-PANEL OPPOSITE ARRAY**

G-Tech Communication Services Pty. Ltd. Trading as:
ZCG SCALAR
 DESIGNERS AND MANUFACTURERS OF RADIO-FREQUENCY ANTENNAS
 1st Street, Underwood, Victoria, Australia.
 Tel: (03) 5157 1203 Fax: (03) 5157 1641

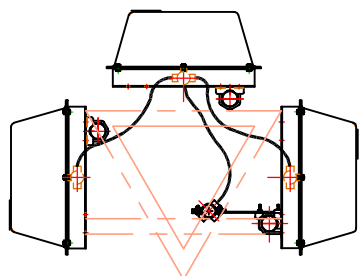


COPYRIGHT - G-Tech COMMUNICATION SERVICES PTY.LTD.
 NO PART OF THIS DRAWING IS TO BE REPRODUCED WITHOUT
 WRITTEN PERMISSION.



SIDE VIEW

Assembly Sketch
ZUVP
PANEL ANTENNA ARRAY



PLAN VIEW

G-Tech Communication Services Pty. Ltd. Trading as :
ZCG SCALAR®
DESIGNERS AND MANUFACTURERS OF RADIO FREQUENCY ANTENNAS
Hall Street, Lindenow, Victoria, Australia.
Tel: (03) 5157 1203 Fax: (03) 5157 1641

