

Horizontal binary array

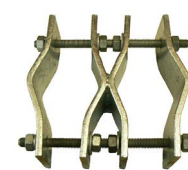
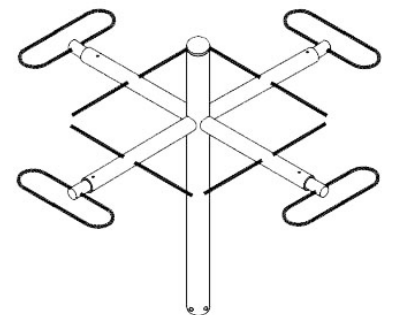
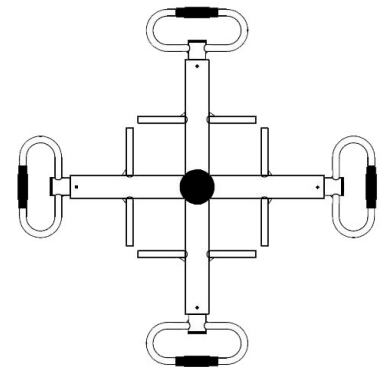
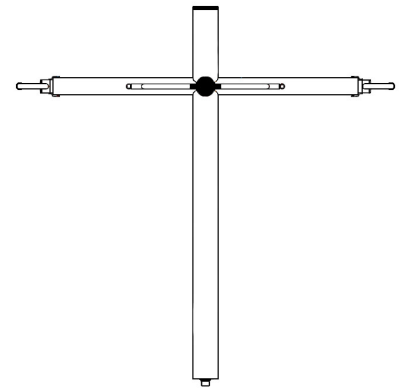
4 dipole configuration

UHF 400-820MHz

These horizontal dipole arrays offer an omni-directional radiation pattern and genuine broadband coverage within the UHF/TETRA 400-820MHz frequency range. The array is therefore ideally suited for multiple frequency transmissions at highly populated radio sites.

Filters and multicouplers, coaxial feeder cable, connectors and other installation accessories are all available separately.

Specifications	DUA-400520B-H	DUA-520820B-H
Construction	Fully-welded corrosion resistant aluminium or add -SS for 304 stainless steel	
Number of dipoles	4	
Frequency range	TETRA/UHF 400-520MHz	UHF 520-820MHz
Bandwidth	Full band	Specify 150MHz
VSWR	<1.5:1 across full band	
Tuning	Factory	Factory
Gain	3 dBd	3 dBd
Maximum power	250 Watts	250 Watts
Polarisation	Vertical	Vertical
H Plane	360° omni-directional ± 0.5 dBd	
Impedance	50 Ohms	50 Ohms
DC grounding	Yes	Yes
Connector	N-type female fitted at base of mount section	
Projected area	0.03m ²	
Wind load at 160kph	3.67kg, 0.036kN	
Height	0.510 metres	
Mount section area	48.4mm x 300mm	48.4mm x 300mm
Weight	5.1kg	5.1kg
Mounting hardware (order separate)	2 x UAM180L - parallel or 2 x UAM90L - right-angle or consult ZCG for advice	



UAM180L



UAM90L