



LPY100 Series

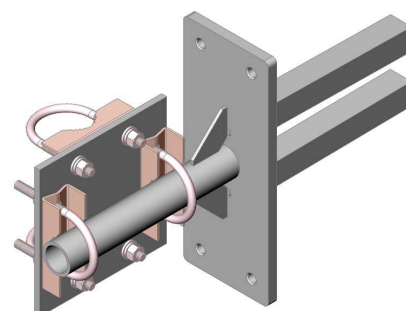
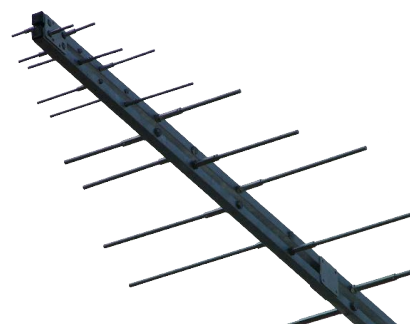
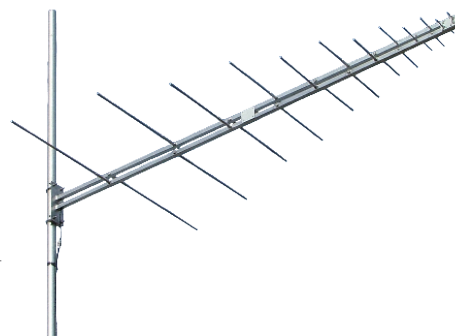
Directional broadband VHF & UHF log periodic antennas
VHF & UHF 100-500MHz or VHF & UHF 100-800MHz



For applications requiring genuine broadband coverage across the VHF & UHF frequency range 100-500MHz, the LPY100-500 log periodic antenna offers the ideal solution.

Mounting hardware, coaxial feeder cable, connectors and other installation accessories are all available separately.

	LPY100-500	LPY100-800SS	
Construction	Aluminium, or add SS for 304 grade stainless steel boom, detachable elements and mounting - specify on order	304 grade stainless steel boom, detachable elements and mounting	
Frequency range	VHF & UHF 100-500MHz	VHF & UHF 100-800MHz	
Bandwidth	Full frequency range stated		
VSWR	<2:1		
Tuning	Factory		
Gain	7dBi		
Maximum power	200 Watts		
Impedance - nominal	50 Ohms		
Polarisation	Mount horizontal or vertical as required		
H Plane	105° - 142° depending on frequency		
E Plane	43° - 75° depending on frequency		
Front-to-back ratio	7dB - 15dB depending on frequency		
DC grounding	Yes		
Connector	N-type female fitted to 200mm RG58 stranded		
Boom length	2.5 metres	2.577 metres	
Longest element	1.5 metres		
Weight	Aluminium Stainless steel	3.8kg 6.9kg	4.1kg 8.0kg
Projected area	0.104m ²		0.185m ²
Wind load at 160kph	12.5kg, 0.123kN		22.357kg, 0.219kN
Mounting hardware order separate	Support Strut kit: 1 x YS1-100 - highly recommended Aluminium: 1 x Y2300, Y2300-L or Y2300-XL Stainless steel 1 x Y2300SS, Y2300SS-L or Y2300SS-XL		
Installation tools required	Stainless steel tommy bar for securing elements		



Y2300
30-50mm capability

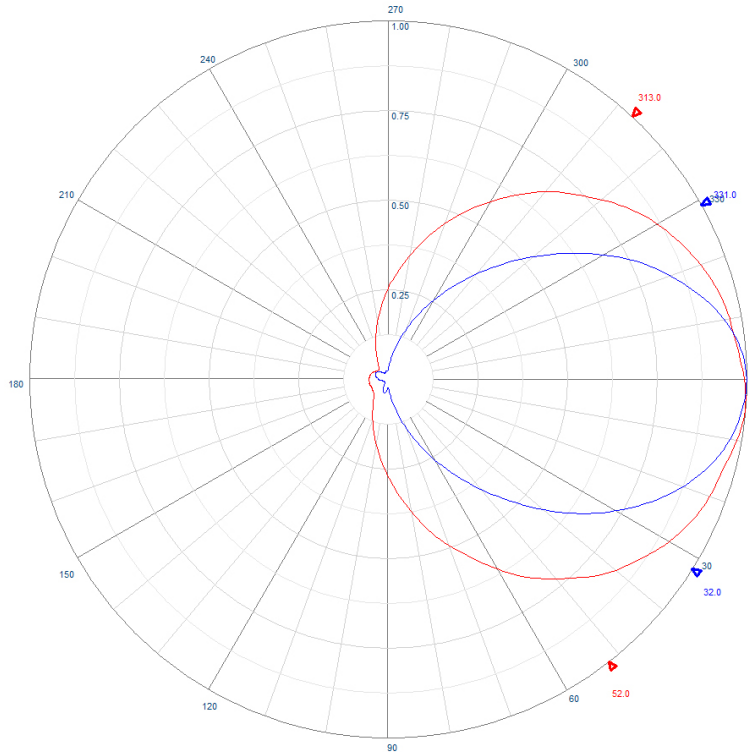


Y2300-L
40-75mm capability

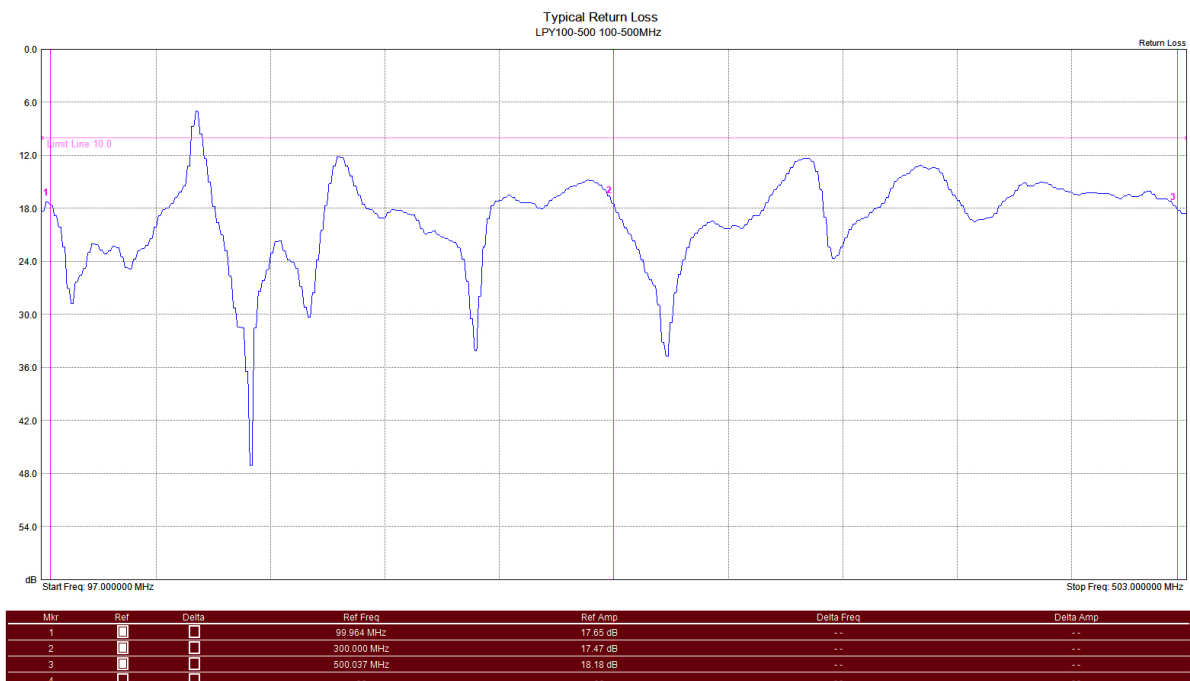


LPY100 Series

Directional broadband VHF & UHF log periodic antennas
VHF & UHF 100-500MHz or VHF & UHF 100-800MHz



Example radiation pattern - LPY100-150



Typical Return Loss - LPY100-150