

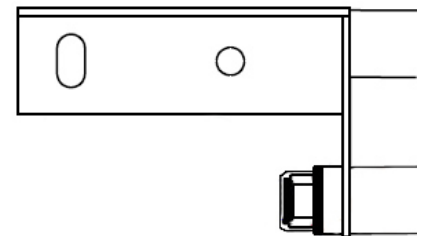
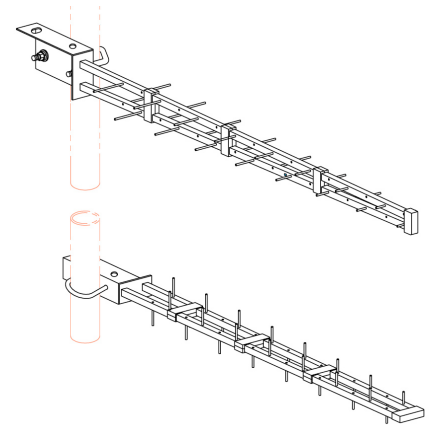
LPY200-16SS

VHF Log periodic Yagi 200-250MHz

The LPY200-16SS log periodic Yagi provides broad bandwidth coverage across the VHF 200-250MHz

Coaxial feeder cable, connectors and other installation accessories are all available separately.

Specifications	LPY200SS
Construction	Fully-welded 304 stainless steel body and mount bracket
Frequency range	VHF 200-250MHz
Bandwidth	Full band
VSWR	1.2:1 across full band
Tuning	Factory
Gain	11 dBi
Maximum Power	1 Kilowatt
Impedance (nominal)	50 Ohms
Polarisation	Mount Horizontal or Vertical as required
H Plane	98° (depending on frequency)
E Plane	59° (depending on frequency)
Front-to-Back Ratio	24 dB
DC Grounding	Yes
Connector (fitted)	7/16" DIN female in rear of antenna
Boom Length	3.695m
Longest Element	861 mm
Projected Area	0.149m ²
Wind Load at 160kph	18.079kg, 0.117kN
Mounting Accessories	Welded angle plate clamp (up to 50mm)



LPY200-16SS 7/16" DIN female connector