

**New Product**

## TDJ-4950-22

### UHF grid-pack Point-to-Point STL link

### UHF 4900-5000 MHz

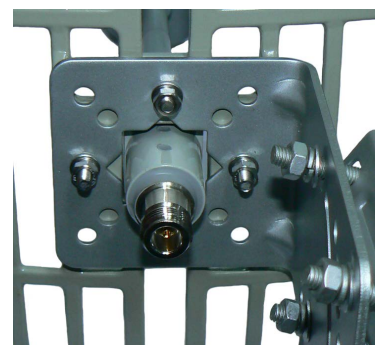
**Build To Order**

The TDJ-4950-22 directional grid pack provides broad bandwidth across the full UHF frequency range 4900-5000 MHz.

The highly directional narrow radiation pattern with minimal side lobes makes this grid pack a perfect choice for use as a point-to-point link.

Coaxial feeder cable, connectors and other installation accessories are all available separately.

Construction	2-piece parabolic rear screen, adjustable mount brackets and launcher
Frequency range	4900-5000 MHz - UHF
Bandwidth	Full frequency range stated - 100 MHz
VSWR	<1.5:1
Tuning	Factory
Gain	22 dBi
Maximum power	100 Watts
Impedance	50 Ohms
DC grounding	Yes
Polarisation	Mount horizontal or vertical as required
H Plane	10°
E Plane	13°
Front-to-back ratio	>20dB
Connector	N-type female fitted in rear of launcher unit
Dish dimensions	300mm x 400mm - assembled
Weight	1.5kg
Projected area	0.120m <sup>2</sup>
Wind load at 160kph	14.536kg, 0.142kN
Mounting hardware - supplied	2 x U-bolts, 30-50mm capability with tilt adjustment
Installation tools required	9mm spanners for launcher mounting 11mm spanner for U-bolts securing



N-type female connector in rear of launcher







**New Product**

## TDJ-4950-22

**UHF grid-pack Point-to-Point STL link**  
**UHF 4900-5000 MHz**

**Build To Order**

### Suitable mounting hardware

 <p>CFB series - Galvanised steel 'J' hockey stick brackets, 1.1 - 2.1 metres.</p> <p>Requires A-4266 series + 2 x EB1-SS or 1 x UB2-SS</p>	 <p>SFB Series - galvanised steel pole extension 0.9-2.0 metres Roof or overhang mounting</p> <p>Requires mounting screws/ bolts and mounting hardware for antenna</p>
 <p>A-2654-2 - Aluminium pole extension 1.1 metres includes pole mounting brackets.</p> <p>Requires A-4266 + 2 x EB1-SS or 1 x UB2-SS</p>	 <p>A-2307 - 6-piece aluminium &amp; fibreglass mast - 6.68m</p> <p>Includes: insulated top, guy wires, spigots and base bracket.</p>

### Suitable feeder coaxial cable and connector

 <p>RU400 Solid copper conductor, low loss coaxial cable CNT-400 / LMR-400™ equivalent (* times microwave) P/N 7890</p> <p>Available in 100m, 300m, 500m roll or alternatively request a custom cable assembly</p>	 <p>P/N 8226</p> <p>N-type male crimp plug connector for RU400 - Tri-metal plated</p>
 <p>1/2" super flexible helical shielded, foam dielectric coaxial cable P/N ZCG1250SF</p> <p>Available in per metre, or 500m rolls or alternatively request a custom cable assembly</p>	 <p>P/N NM1250SF</p> <p>N-type male clamp style plug connector for 1/2" helical shielded, foam dielectric, super flexible cable - Tri-metal plated</p>
 <p>1/2" corrugated shielding, foam dielectric coaxial cable P/N ZCG1250</p> <p>Available in per metre, or 500m rolls or alternatively request a custom cable assembly</p>	 <p>P/N NM1250</p> <p>N-type male clamp style plug connector for 1/2" corrugated shielded, foam dielectric cable - Tri-metal plated</p>
 <p>7/8" corrugated shielding, foam dielectric coaxial cable P/N ZCG7850</p> <p>Available in per metre, or 500m rolls or alternatively request a custom cable assembly</p>	 <p>P/N NM7850</p> <p>N-type male clamp style plug connector for 7/8" corrugated shielded, foam dielectric cable - Tri-metal plated</p>