

## Y815B2-DM series

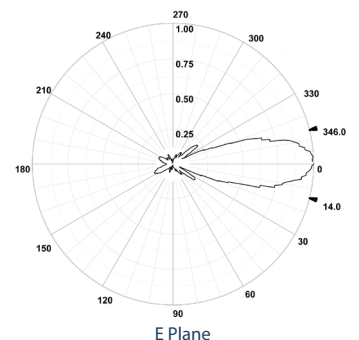
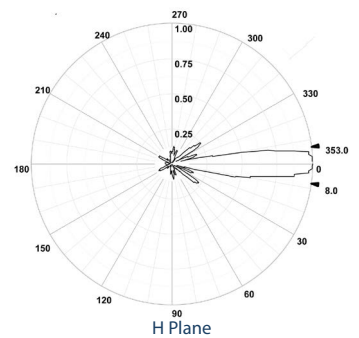
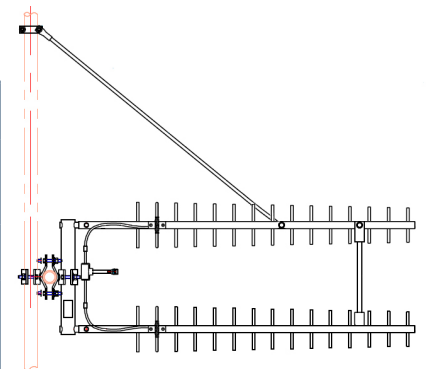
### 2-stack broadband Yagi array UHF 700-960MHz

Page 1 of 3

Y815B2-DM series are 2-stack Yagi arrays which produces a highly directional radiation pattern with high front-to-back ratio specifically designed for long distance point-to-point communication links.

Coaxial feeder cable, connectors and other installation accessories are all available separately.

Specifications	Y815B2-DM	Y815B2-DM-SS
Construction	Fully-welded aluminium	Fully-welded 304 grade stainless steel
Frequency range	UHF 700-960MHz	
Bandwidth	Specify any 60MHz within band when ordering	
VSWR	<1.5:1 across specified bandwidth	
Tuning	Factory	
Yagi's in array	2 x 15 element Yagi's	
Gain - nominal	17dBd	
Polarisation	Vertically polarised Yagi's in Vertical mounting (stacked)	
Maximum power	100 Watts	
Impedance	50 Ohms	
H Plane	14°	
E Plane	28°	
Front-to-back	18 dB	
Cable Tail	2-way RG59 phasing harness - supplied	
Connector	N-type female fitted to phasing harness	
Boom length	1.85 metres	
Longest element	210mm	
Array weight	6.1kg	10kg
Projected area	0.170m <sup>2</sup>	
Wind load at 160kph	0.203kN, 20.674kg	
Mounting hardware	1 x SRF-DM, 1 x UAM90L - supplied	



## Y815B2-DM series

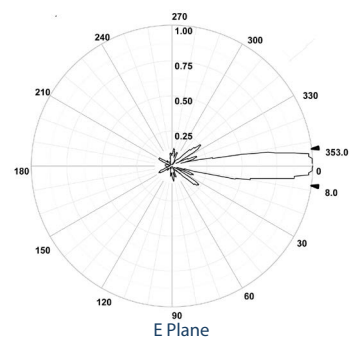
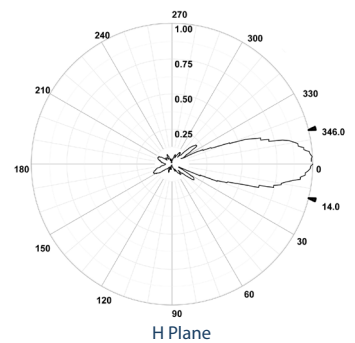
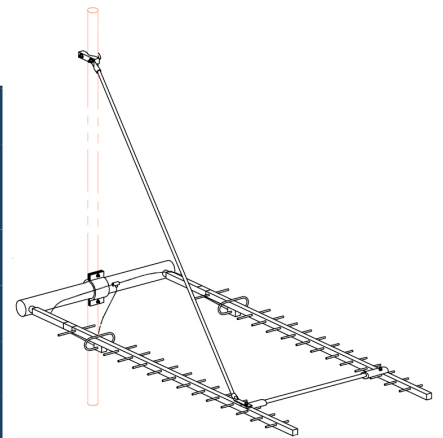
### 2-stack broadband Yagi array UHF 700-960MHz

#### Page 2 of 3

Y815B2-DM series are 2-stack Yagi arrays which produces a highly directional radiation pattern with high front-to-back ratio specifically designed for long distance point-to-point communication links.

Coaxial feeder cable, connectors and other installation accessories are all available separately.

Specifications	Y815B2-DMHB	Y815B2-DMHB-SS
Construction	Fully-welded aluminium	Fully-welded 304 grade stainless steel
Frequency range	UHF 700-960MHz	
Bandwidth	Specify any 60MHz within band when ordering	
VSWR	<1.5:1 across specified bandwidth	
Tuning	Factory	
Yagi's in array	2 x 15 element Yagi's	
Gain - nominal	17dBd	
Polarisation	Horizontally polarised and horizontally mounted (bayed)	
Maximum power	100 Watts	
Impedance	50 Ohms	
H Plane	28°	
E Plane	14°	
Front-to-back	18 dB	
Cable Tail	2-way RG59 phasing harness - supplied	
Connector	N-type female fitted to phasing harness	
Boom length	1.85 metres	
Longest element	210mm	
Array weight	6.1kg	10kg
Projected area	0.170m <sup>2</sup>	
Wind load at 160kph	0.203kN, 20.674kg	
Mounting hardware	1 x SRF-DM, 1 x UAM90L - supplied	



## Y815B2-DM series

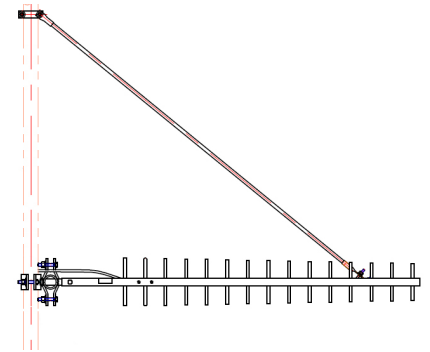
2 or 4 broadband Yagi array UHF 700-960MHz

Page 3 of 3

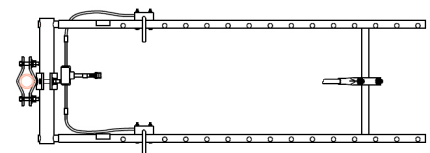
The Y815B2-DMH series are either 2 or 4 Yagi arrays which produces a highly directional radiation pattern with high front-to-back ratio specifically designed for long distance point-to-point communication links.

Coaxial feeder cable, connectors and other installation accessories are all available separately.

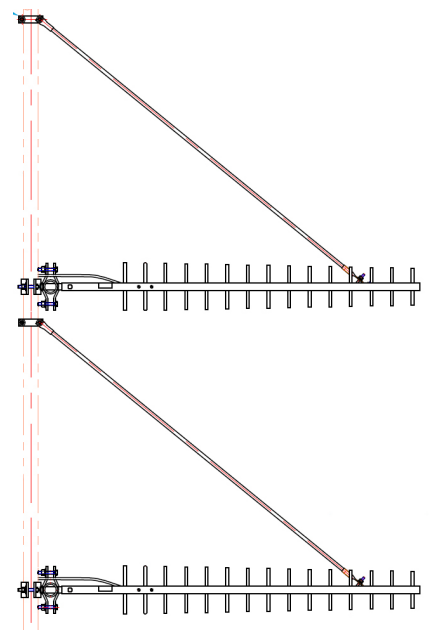
Specifications	Y815B2-DMH	Y815B2-DMH-Array
Construction	Fully-welded aluminium yagi's and supports	
Frequency range	UHF 700-960MHz	
Bandwidth	Specify any 60MHz within band when ordering	
VSWR	<1.5:1 across specified bandwidth	
Tuning	Factory	
Yagi's in array	2 x 15 element Yagi's	4 x 15 element Yagi's
Gain - nominal	17dBd	20dBd
Polarisation	Vertical polarised Yagi's, Horizontally mounted (bayed)	
Maximum power	100 Watts	
Impedance	50 Ohms	
H Plane	14°	8°
E Plane	28°	10°
Front-to-back	18 dB	
Cable Tail	2-way RG59 phasing harness - supplied	
Connector	N-type female fitted to phasing harness	
Boom length	1.85 metres	
Longest element	210mm	
Array weight	6.1kg	10kg
Projected area	0.171m <sup>2</sup>	0.341m <sup>2</sup>
Wind load at 160kph	0.203kN, 20.674kg	0.404kN, 41.261kg
Mounting hardware	1 x SRF-DM, 1 x UAM90L - supplied	2 x SRF-DM, 2 x UAM90L - supplied



Y815B2-DMH 2 x 15 element Yagi array - side view



Y815B2-DMH series - top view



Y815B2-DMH-Array 4 x 15 element Yagi array