

Y200 Series

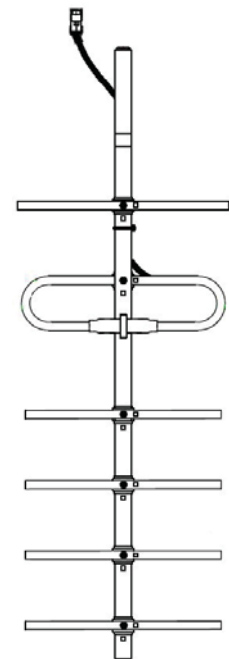
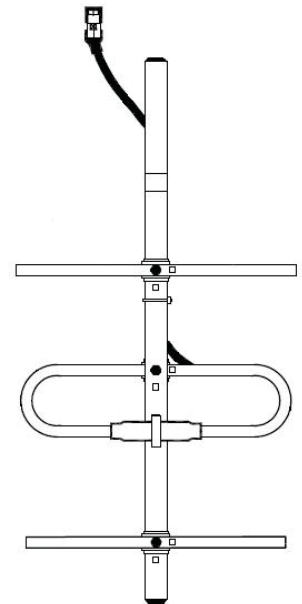
VHF 70-108MHz

Single Dipole Yagi's

The Y200 series yagis are specifically designed and manufactured to cover the VHF frequency range 70-108MHz.

Mounting clamps, coaxial feeder cable, connectors and other installation accessories are all available separately.

Specifications	Y202	Y203	Y204	Y206	
Construction	Aluminium, or add SS for stainless steel (304 grade)				
Frequency Range	VHF 70-108MHz				
Bandwidth	Any 4% (specify Transmit and Receive when ordering)				
Tuning	Factory	Factory	Factory	Factory	
Return Loss, VSWR	<1.5:1 across specified bandwidth				
Number of Elements	2	3	4	6	
Gain (nominal)	3 dBd	6 dBd	7.5 dBd	9 dBd	
Polarisation	Mount Horizontal or Vertical as required				
Maximum Power	250 Watts	250 Watts	250 Watts	250 Watts	
Impedance	50 Ohms	50 Ohms	50 Ohms	50 Ohms	
H Plane at 3 dBd	135°	76°	62°	50°	
E Plane at 3 dBd	70°	57°	54° <td 46°		
Front-to-Back Ratio	15 dB	14 dB	14 dB	16 dB	
Connector (ftted)	N-female fitted to 1.4 metres RG213				
Boom length at 70MHz	1.8 metres	2.7 metres	3.5 metres	5 metres	
Longest Element	2.2 metres	2.2 metres	2.2 metres	2.2 metres	
Weight	Alum	- 3.2Kg	- 4Kg	- 5.5Kg	- 7Kg
	S/Steel	- 4Kg	- 5Kg	- 6.9Kg	- 8.8Kg
Projected Area	0.137m ²	0.28m ²	0.30m ²	0.34m ²	
Wind Load at 160kph	16Kg	33Kg	36Kg	41Kg	
Strut Kit (order seperate)	YS1-23 (single) or YS2-23 (2-way)				
Mounting Accessories (order seperate)	1 x Y2300 for Aluminium or 1 x Y2300-SS for Stainless Steel				



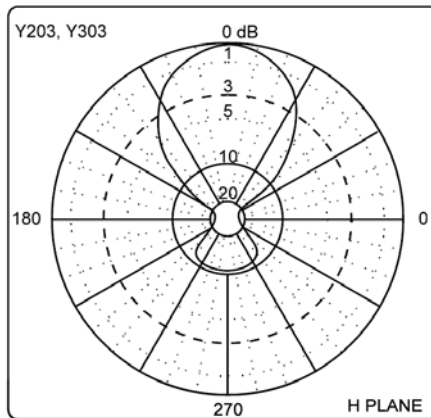
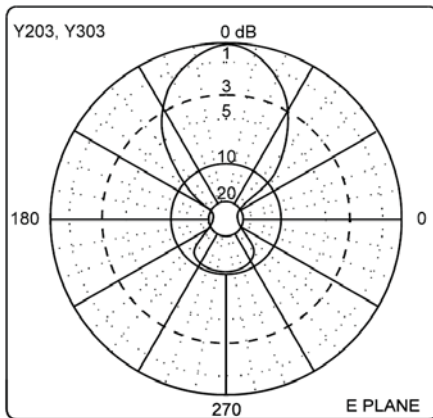
Y200 Series

VHF 70-108MHz

Single Dipole Yagi's

Sample Radiation Patterns

Y203, 3 Element



Y206, 6 Element

