

B55AL

Scaled tunable aluminium monocone Airband 118-137MHz



In-stock
Ready to
Ship

The B55AL monocone is an economical and cost effective monocone for airport to aircraft communications. Using the lower section of the Air Band for transmit, the sliding radials can be easily field tuned to receive a specific airport channel within 118-137MHz.

Mounting hardware, coaxial feeder cable, connectors and other installation accessories are all available separately.

Construction	Grey PVC radome, aluminium radials, anodised aluminium mount section and external cable
Frequency	VHF Airband 118-137MHz
Bandwidth	Specify centre frequency and 8MHz bandwidth
VSWR	<1.5:1
Tuning	Factory - radials can be field tuned if required
Gain	0dBd
Maximum power	200 Watts
Impedance - nominal	50 Ohms
DC grounding	Yes
Polarisation	Vertical
H Plane	360° omni-directional, ± 0.5 dBd
E plane - Vertical	74°
Cable & connector	N-type female fitted to 1.0 metres MIL-SPEC RG213 - bottom exit
Height	1.5 metres
Radial width	1.3 metres overall - 650mm each side
Weight	3.1kg
Projected area	0.067m ²
Wind load at 160kph	0.149kN, 15.25kg
Mount section	38mm x 300mm - anodised aluminium
Mounting hardware order separate	Parallel: 2 x EB1-SS or 1 x UB3-SS Right-angle: 2 x RB8 or 1 x UB2-SS Side/wall mount: 2 x NSM-218
Installation tools required	10mm spanner for radial U-bolt securing



Adjustable ground plan radials



N-type female jack connector fitted to cable

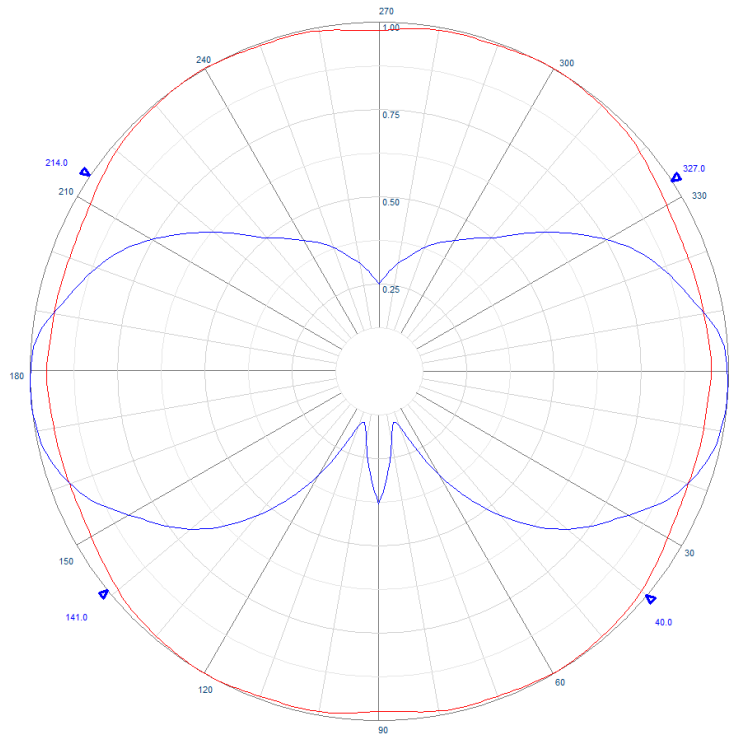


B55AL

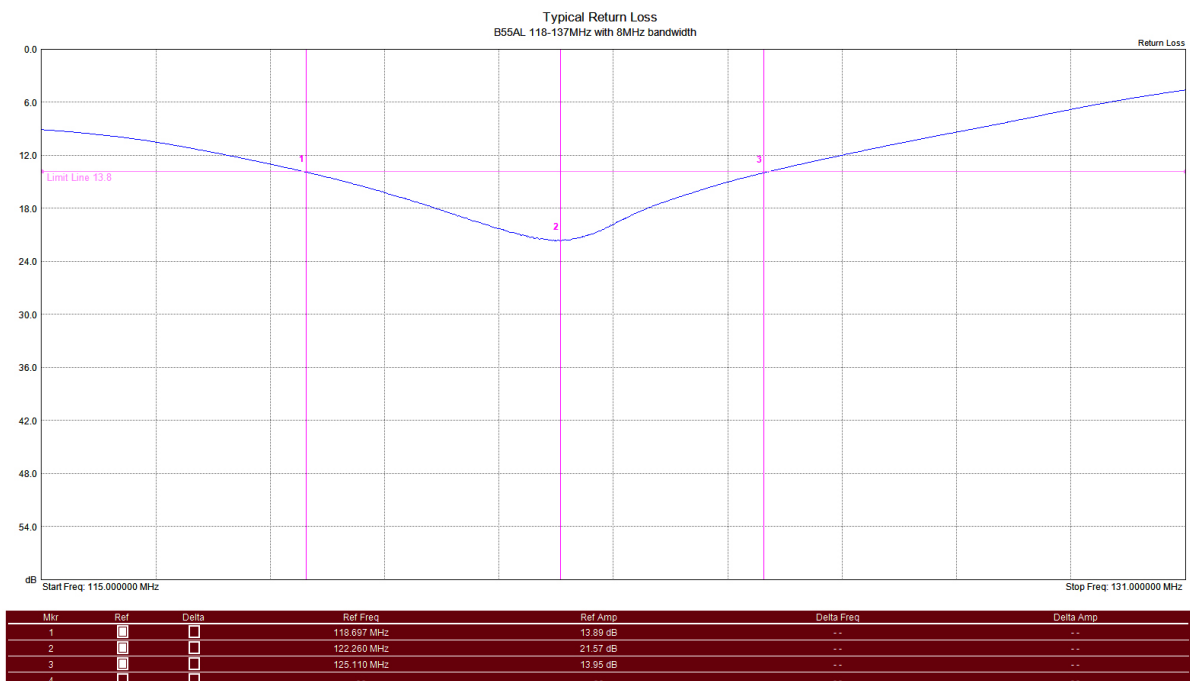
Scaled tunable aluminium monocone

Airband 118-137MHz

 In-stock
Ready to
Ship



Example radiation pattern



Typical Return Loss






B55AL

Scaled tunable aluminium monocone

Airband 118-137MHz


In-stock
Ready to
Ship

Suitable mounting hardware

 <p>EB1-SS - requires 2 304 stainless steel parallel clamp Boom: 20-40mm capability Mount pole: 25-45mm capability</p>	 <p>UB3-SS 304 stainless steel parallel clamp Boom: 20-32mm capability Mount pole: 20-50mm capability</p>
 <p>RB8 Galvanised steel right- angle clamp Boom: 20-50mm capability Mount pole: 20-50mm capability</p>	 <p>UB2-SS 304 stainless steel right- angle clamp Boom: 20-50mm capability Mount pole: 20-50mm capability</p>
 <p>NSM-218 Toughened white nylon wall or side mount. 38mm capability 1/2" mount bolt Requires 19mm or 3/4" spanner</p>	

Suitable feeder coaxial cable and connectors

 <p>RU400 Solid copper conductor, low loss coaxial cable CNT-400 / LMR-400™ equivalent (™ times microwave) P/N 7890 Available in 100m, 300m, 500m roll or alternatively request a custom cable assembly</p>	 <p>N-type male crimp connector for RU400 low loss, solid conductor P/N 8226 Tri-metal plated</p>
 <p>1/2" super flexible helical shielded, foam dielectric coaxial cable P/N ZCG1250SF Available in per metre, 500m roll or alternatively request a custom cable assembly</p>	 <p>N-type male clamp connector for 1/2" super flexible, helical shielded coaxial cable P/N NM1250SF Tri-metal plated</p>
 <p>1/2" corrugated shielding, foam dielectric coaxial cable P/N ZCG1250 Available in per metre, 500m roll or alternatively request a custom cable assembly</p>	 <p>N-type male clamp connector for 1/2" flexible, corrugated shielded, coaxial cable P/N NM1250 Tri-metal plated</p>

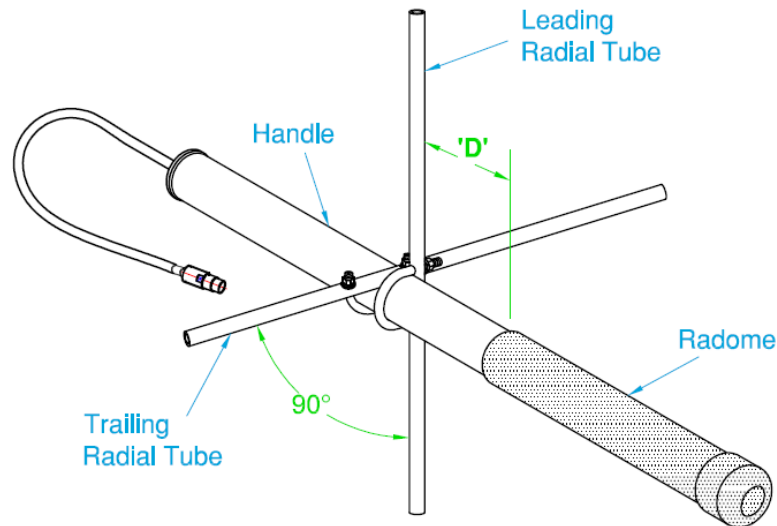


B55AL

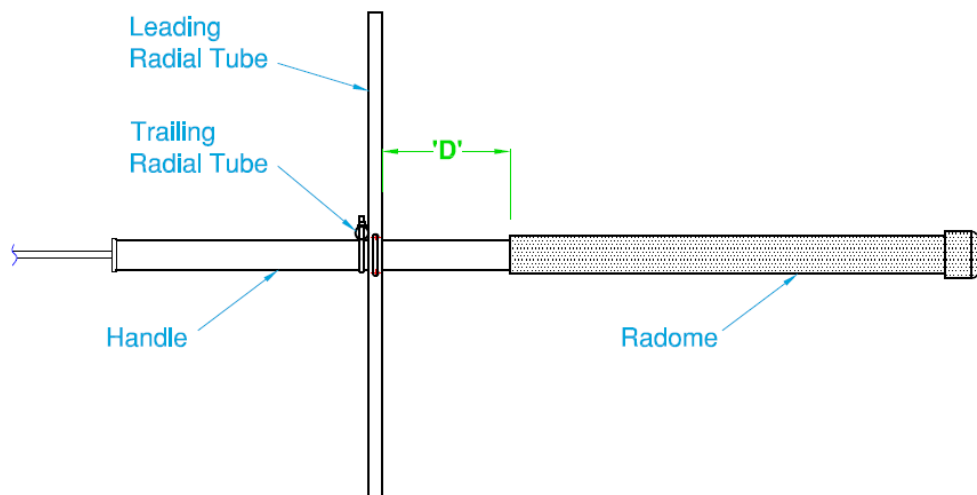
Scaled tunable aluminium monocone

Airband 118-137MHz


In-stock
Ready to
Ship



Isometric View



Side View

Assembly Notes:

1. Position the Leading Radial Tube along the Handle at distance 'D' from the Radome.
2. Clamp Tube into position using supplied U-Bolt.
3. Position the Trailing Radial Tube at 90° to the Leading Radial.
4. The two Radials must make contact with each other.
5. Clamp the Trailing Radial into position.