

Y200B series

FM Radio yagis

Page 1 of 2

The Y200B series yagis are specifically designed and manufactured for FM radio broadcast or receive.

Mounting clamps, coaxial feeder cable, connectors and other installation accessories are all available separately.

| Specifications | Y202B | Y203B | Y204B | Y206B |
|-------------------------|--|---------------------------|---------------------------------|-------------------------------|
| Construction | Aluminium or add SS for stainless steel (304 grade) | | | |
| Frequency Range | FM band 87.5-108.5MHz | | | |
| Bandwidth | 4MHz (specify when ordering) | | | |
| Tuning | Factory | Factory | Factory | Factory |
| Return Loss, VSWR | Better than -20dB, <1.2:1 across specified bandwidth | | | |
| Number of Elements | 2 | 3 | 4 | 6 |
| Gain (nominal) | 3 dBd | 6 dBd | 7.5 dBd | 9 dBd |
| Polarisation | Mount Horizontal or Vertical as required | | | |
| Maximum Power | 250 Watts | 250 Watts | 250 Watts | 250 Watts |
| Impedance | 50 Ohms | 50 Ohms | 50 Ohms | 50 Ohms |
| H Plane (at 3dBd) | 135° | 76° | 62° | 50° |
| E Plane (at 3dBd) | 70° | 57° | 54° | 46° |
| Front-to-Back Ratio | 15 dB | 14 dB | 14 dB | 16 dB |
| Connector (fitted) | N-female fitted to 1.4 metres RG213 | | | |
| Boom Length at 88MHz | 1.8 metres | 2.7 metres | 3.5 metres | 5.0 metres |
| Weight | Alum - 3.2Kg S/Steel - 4Kg | Alum - 4Kg S/Steel 5Kg | Alum - 5.5Kg S/Steel - 6.9Kg | Alum - 7Kg S/Steel - 8.8Kg |
| Projected Area | 0.137m ² | 0.28m ² | 0.30m ² | 0.34m ² |
| Wind Load at 160kph | 16Kg | 33Kg | 36Kg | 41Kg |
| Strut Kit (recommended) | YS1-23 or YS2023 (order separately) | | | |
| Mounting Accessories | Y2300 for Alum. yagis or Y2300-SS for S/Steel yagis (order separately) | | | |
| Warranty | 2 Years | 2 Years | 2 Years | 2 Years |

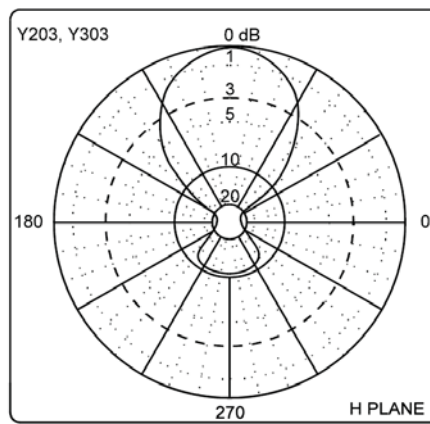
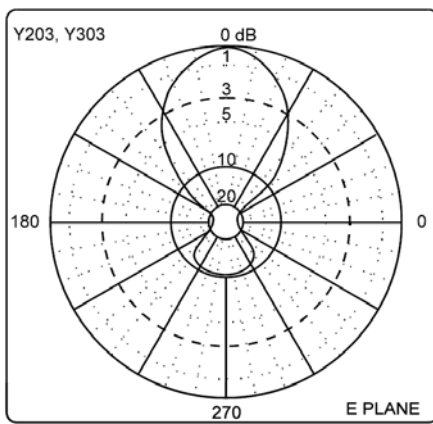


Y200B series

FM Radio yagis

Page 2 of 2

Y203B, 3 Element



Y206B, 6 Element

