

ZAU-GN-260

Low profile 'Dome' GPS/GLONASS precision antenna

L1 GPS /GLONASS/BEIDOU/ Galileo/ QZSS 1164-1300 & 1559-1615 MHz



The ZAU-GN-260 GPS/GLONASS precision low profile antenna is perfect for high quality measuring and stable phase centre precision applications, all within a low profile, IPX6 rated construction.

Patch leads, mounting hardware, adaptors, water-proofing and other installation accessories are all available separately.

Construction	White ABS radome, embedded FR4 PCB radiating elements with PTFE insulators, internal base mounted shielding, bottom exit nickel plated termination and internal brass mount thread	
Frequency range Antenna & L.N.A	GPS: L1 / L2 / L5 / L6 BEIDOU: B1 / B2 / B3 GLONASS: L1 / L2 Galileo: L1 / E5b / E5a QZSS: L1 / L2 / L5 / L6	1164-1300 MHz & 1559-1615 MHz
Antenna Gain	4.5 dBic - typically at zenith	
Antenna Polarisation	Right-hand circular (R.H.C.P)	
Antenna VSWR	<2.0:1 maximum	
Antenna Impedance	50 Ohms	
Antenna Phase centre	≤2mm	
Antenna Axial ratio	≤2.0 - at zenith	
L.N.A DC Voltage	3.0~16.0VDC	
L.N.A. DC Current	≤30 mA (16mA at 3.3V)	
L.N.A Gain	38dB ± 2dB	
L.N.A Out band rejection (absolute value)	≥40 dB (F _H + 100 MHz) ≥40 dB (F _L + 100 MHz)	
L.N.A. VSWR - output	2.0:1	
L.N.A Noise figure - maximum	1.5	
Connector	Embedded TNC female - at base of unit, no cable included	
Waterproof rating	IPX6	
RoHS compliant	Yes	
Dimensions	148mm diameter x 60mm height	
Operating temperature	-40°C ~ +85°C	
Storage temperature	-55°C ~ +85°C	
Mounting position recommended	Mount as high as possible using appropriate mounting hardware with 5/8" UNC male thread, such as 1 x A-4266-11, ensuring no obstructions around or above the antenna	



TNC female bulkhead termination in base of dome antenna. Adaptors to alternate terminations are available to order separately.

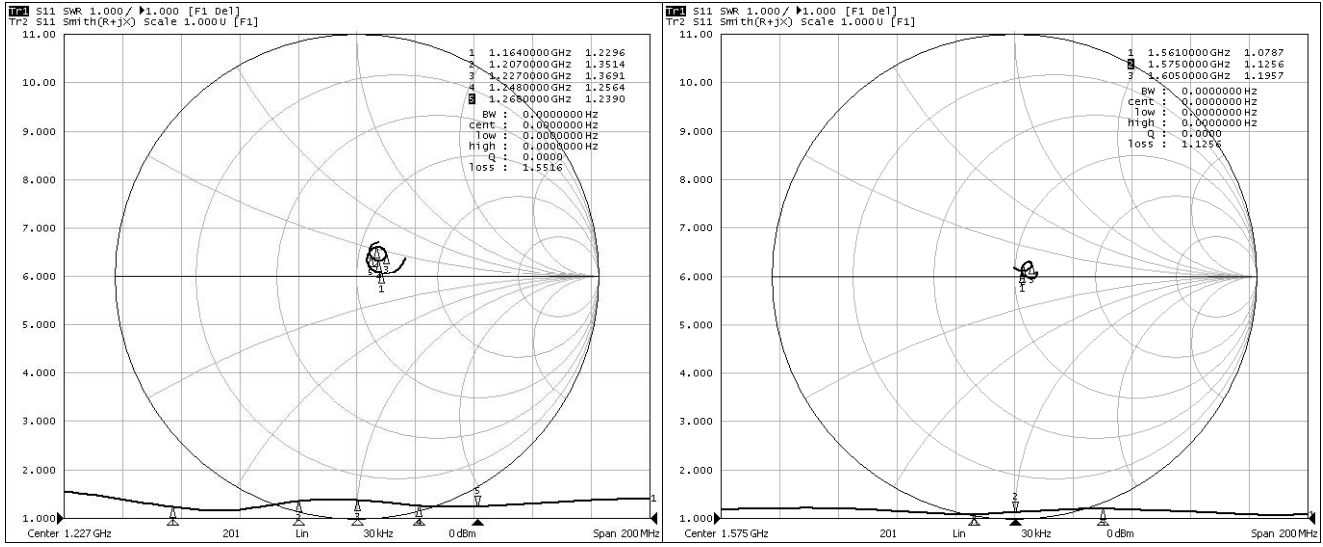


ZAU-GN-260 fitted onto A-4266-11 mount adaptor with 5/8" male mount thread for antenna and M12 base mount thread - order separately

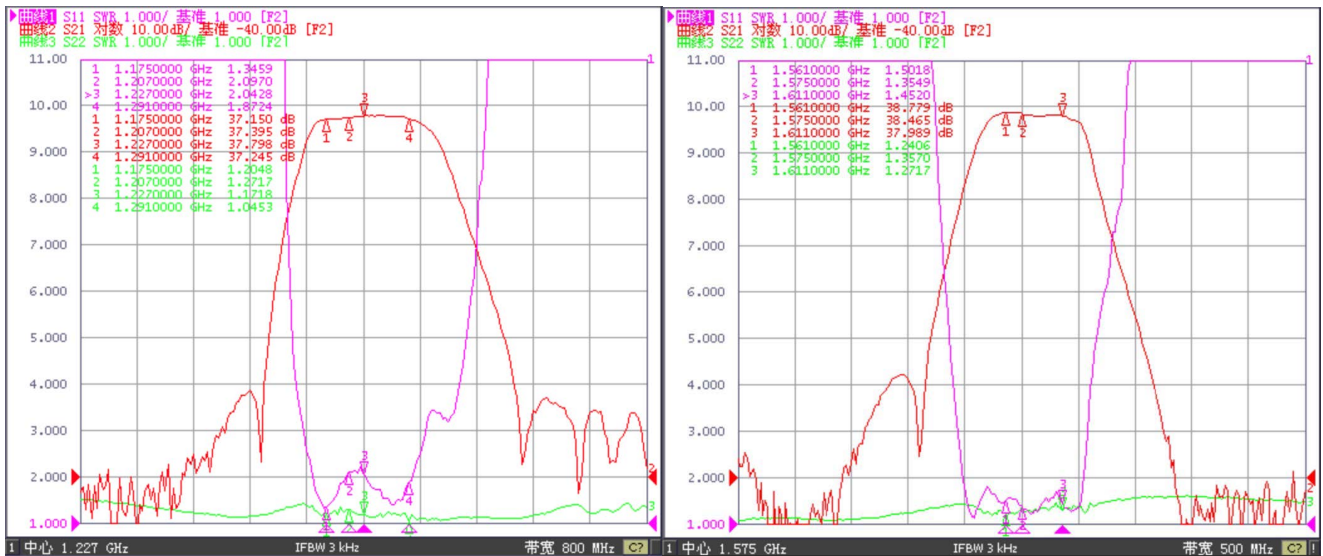
ZAU-GN-260

Low profile 'Dome' GPS/GLONASS precision antenna

L1 GPS /GLONASS/BEIDOU/ Galileo/ QZSS 1164-1300 & 1559-1615 MHz



Patch antenna test curve



L.N.A. test curve

ZAU-GN-260



Low profile 'Dome' GPS/GLONASS precision antenna
L1 GPS /GLONASS/BEIDOU/ Galileo/ QZSS 1164-1300 & 1559-1615 MHz

