

## CT70 & CT160

Low profile and rugged  
VHF mid band 68-88 or VHF high band 148-174MHz



The low profile and rugged CT70 and CT160 VHF vehicle mount antenna are the ideal choice in situations where a traditional whip would be vulnerable to damage, vandalism or where space is at a premium.

### Suitable applications:

- Trains/Trams
- Buses
- Forklifts
- Tractors
- Forestry Vehicles
- Military
- Police
- Ambulance
- Fire Brigade
- Emergency Services
- Security Services
- Mining

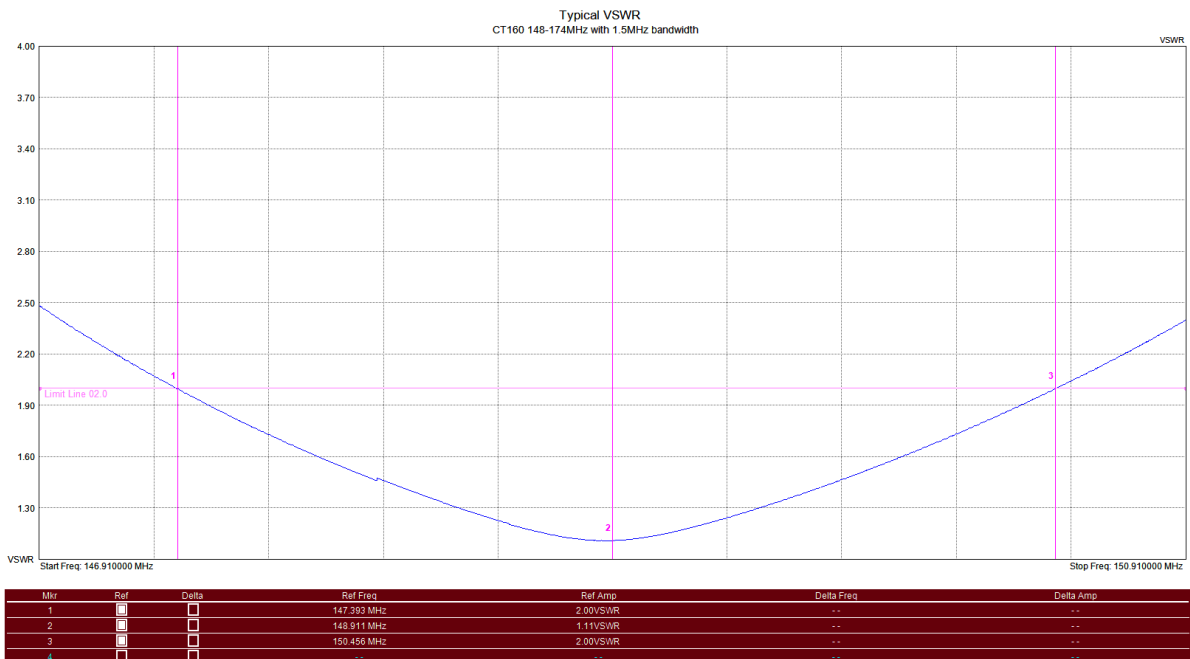
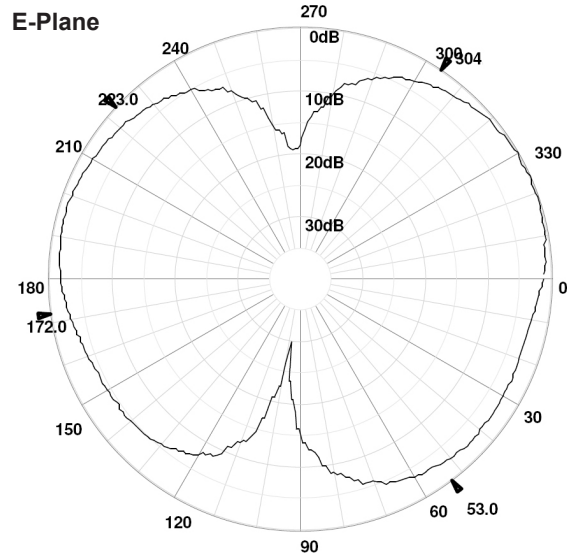
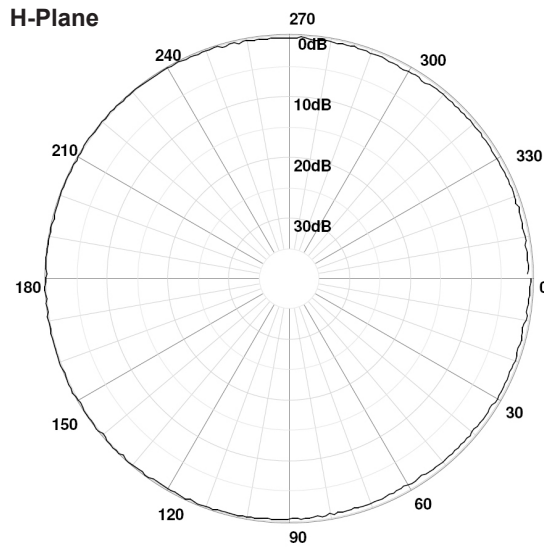


CT160 with adjustable tuning plate

	CT70	CT160
Construction	Aluminium, delrin and tri-metal plated connector	
Frequency range	VHF mid band 68-88MHz	VHF high band 148-174MHz
Bandwidth	3MHz - specify when ordering	
Tuning	Factory tuned to specified frequency - specify on order	
VSWR	<2:1 across specified bandwidth - centre <1.5:1	
Gain - nominal	2.1 dBi	
Maximum power	100 Watts	
Impedance	50 Ohms	
Polarisation	Vertical	
H Plane	Near 360 ° omni-directional	
E Plane	Same as normal 1/4 wave whip	
Connector	N-type female fitted to base, bottom exit	
Dimensions	Length: 1.35m Width: 80mm Height: 200mm	Length: 540mm Width: 60mm Height: 110mm
Weight	3.0kg	1.63kg
Mounting hardware supplied	6 x M6 x 20mm stainless steel bolts, nuts and washers	
Minimum ground plane	1.2 metres square - metallic surface	
Mounting position recommended	Mount as high on your vehicle or structure as possible on a flat metallic surface.	
Installation tools required	10mm spanner for mounting hardware securing	

# CT70 & CT160

Low profile and rugged  
VHF mid band 68-88 or VHF high band 148-174MHz



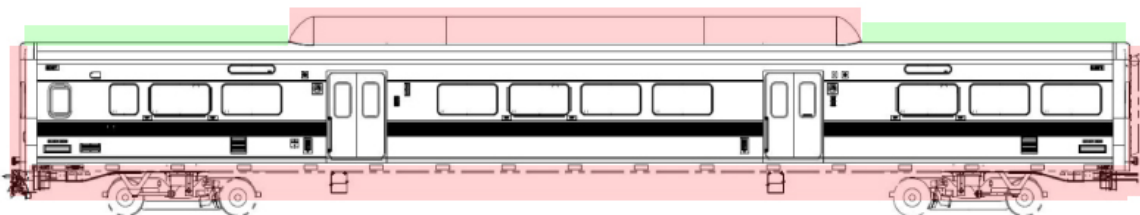
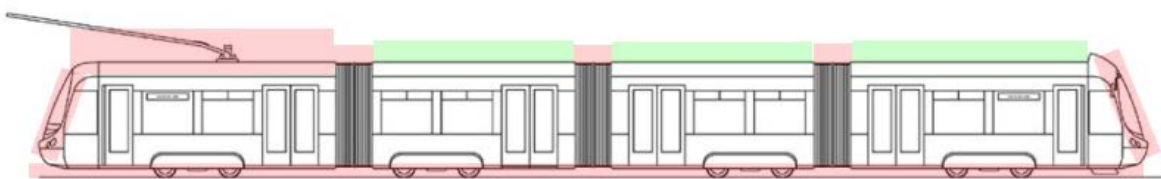
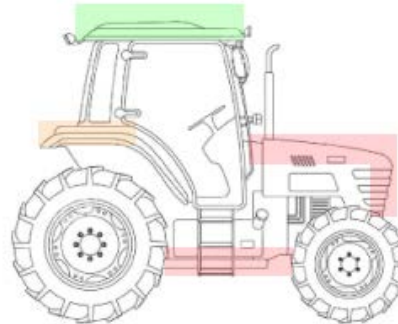
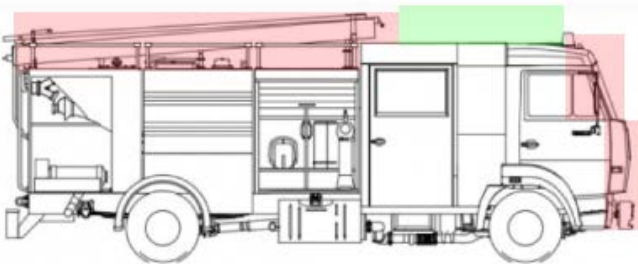
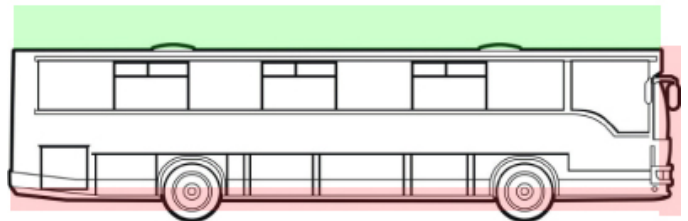
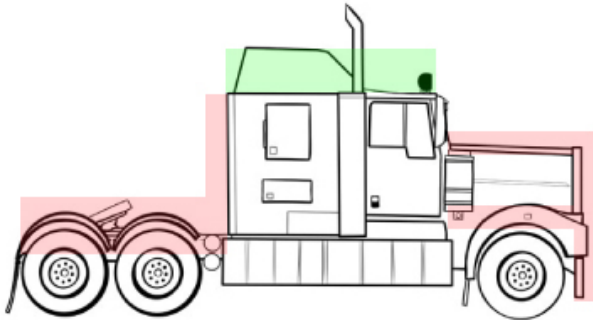
Typical VSWR - CT160

# CT70 & CT160

Low profile and rugged  
VHF mid band 68-88 or VHF high band 148-174MHz



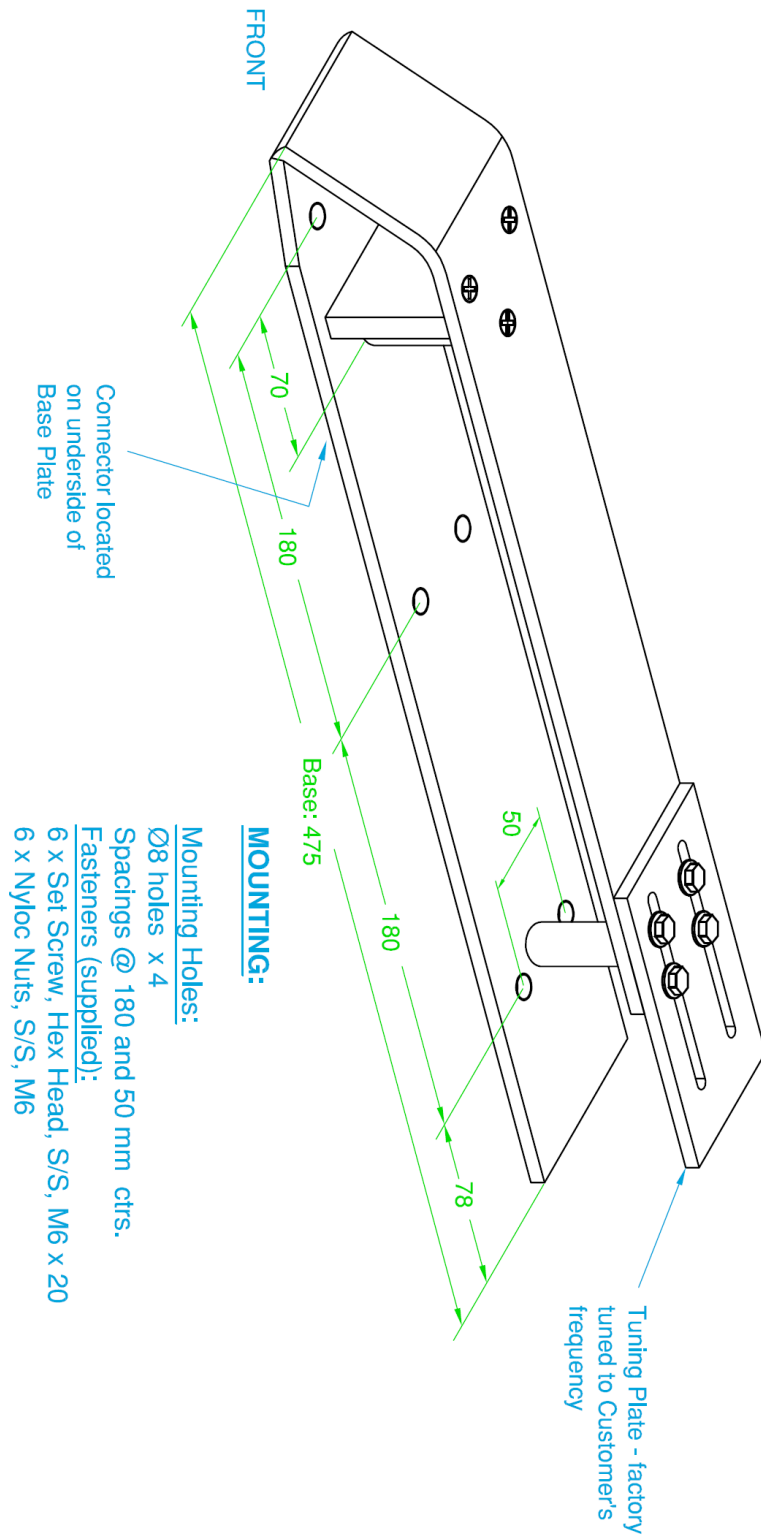
Vehicle Mounting locations



- Best/Recommended location for mounting - must be metal surface
- Suitable mounting locations- must be metal surface
- Not suitable mounting locations

# CT70 & CT160

Low profile and rugged  
VHF mid band 68-88 or VHF high band 148-174MHz



CT160 Installation Drawing