

CT500-RD Series

H.I.P.S radome enclosed low profile and rugged

UHF 500-600MHz & L1 GPS 1575.42MHz



The low profile, rugged radome enclosed CT500-RD series of UHF antennas are the ideal choice in situations where a traditional whip would be vulnerable to damage or vandalism or a low profile required.

Typical applications:

- Trains/Trams
- Buses
- Forklifts
- Tractors
- Forestry Vehicles
- Military
- Police
- Ambulance
- Fire Brigade
- Emergency Services
- Security Services
- Mining



CT500-RD with no external cable



CT500-RD-GPS with external cable



CT500-RD-GPS bottom with N-type female termination



CT500-RD-GPS GPS external cable and SMA male

	CT500-RD	CT500-RD-GPS
Construction	White H.I.P.S (high impact polystyrene) radome, aluminium mount plate and chrome termination - GPS model has internal GPS antenna with external cable	
Frequency range	UHF 500-600MHz	UHF 500-600MHz L1 GPS: 1575.42MHz
Bandwidth	UHF: Specify any 20MHz L1 GPS: +/- 5MHz around centre frequency	
VSWR	<1.5:1 across specified UHF frequency	
Tuning	Factory	
Gain - nominal	2.1dBi	
Maximum power	100 Watts - UHF	
Impedance	50 Ohms	
Polarisation	Vertical	
H Plane	Near 360 ° omni-directional	
E Plane	Same as normal 1/4 wave whip	
Connector	N-type female fitted in base of antenna GPS - 5.0m RG174A/U and SMA male - rear exit from radome	
Dimensions	Length: 375mm, Width: 140mm, Height: 90mm	
Weight	480grams	500grams
Mounting hardware	10 x M7 x 20mm bolts required - not supplied 1 x 16mm hole for N-type female insertion	
Minimum ground plane	1.2 metres square metal surface - <u>required</u>	

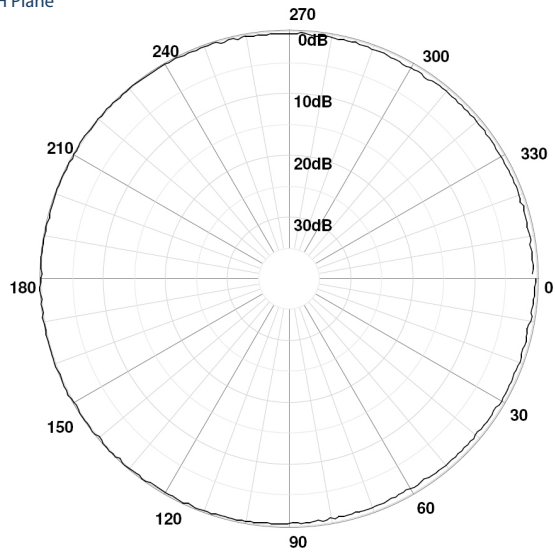
CT500-RD Series

H.I.P.S radome enclosed low profile and rugged

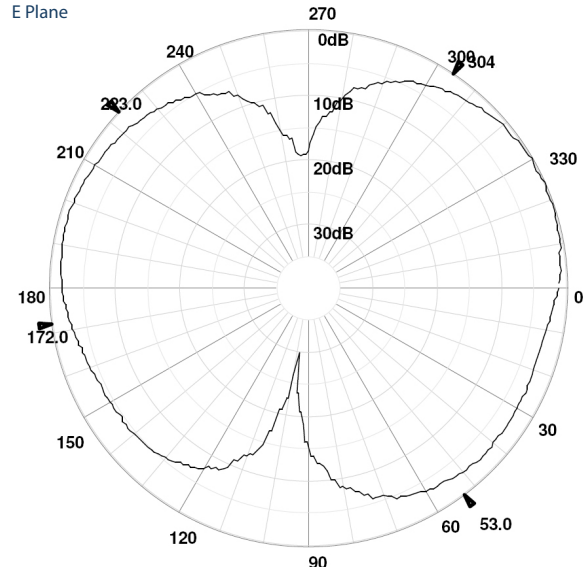
UHF 500-600MHz & L1 GPS 1575.42MHz



H Plane



E Plane



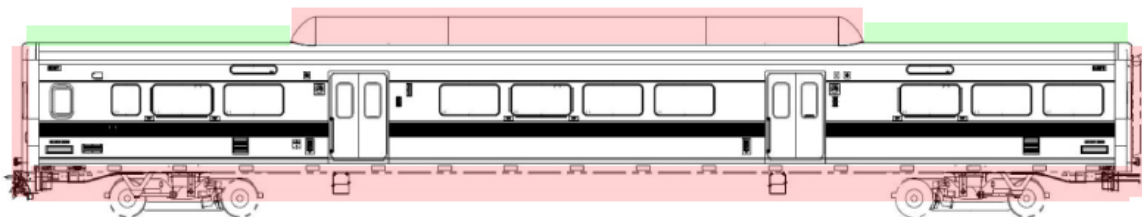
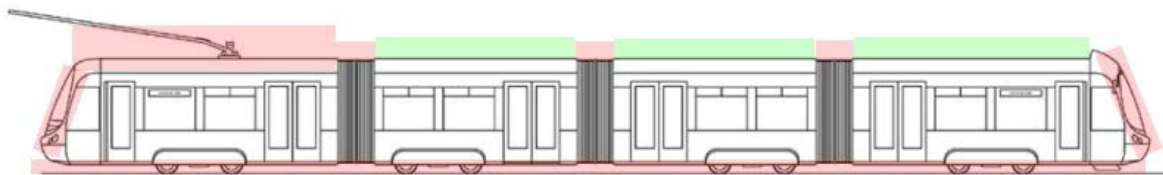
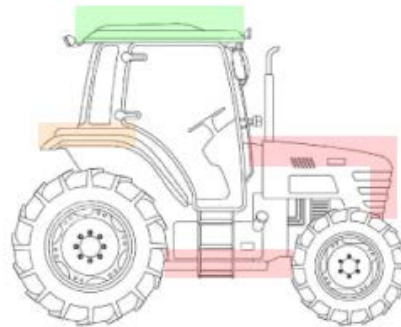
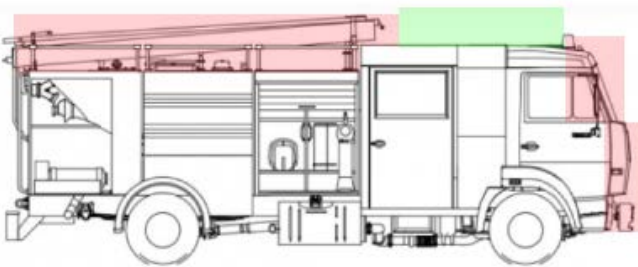
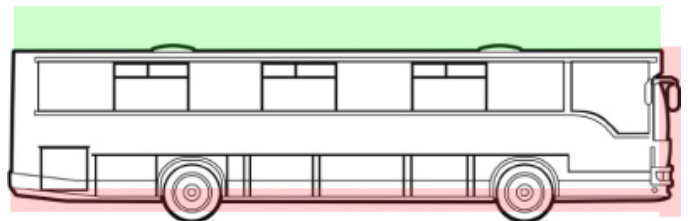
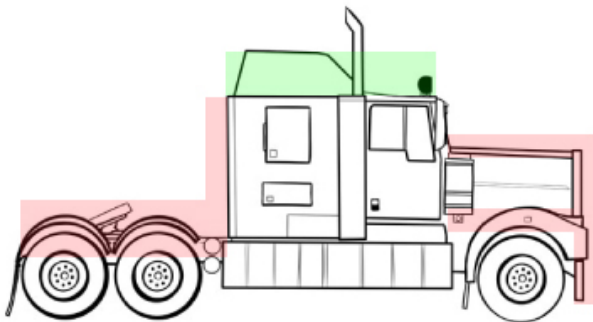
CT500-RD Series

H.I.P.S radome enclosed low profile and rugged

UHF 500-600MHz & L1 GPS 1575.42MHz



Vehicle Mounting locations



- Best/Recommended location for mounting - must be metal surface
- Suitable mounting locations- must be metal surface
- Not suitable mounting locations