

## ZAU-8-915

Low profile adhesive mount patch antenna

L1 GPS 1575.42MHz and ISM900/loT/M2M Wireless Data 902-928MHz



The ZAU-8-915 GPS and Data transmission antenna is perfect for AVL tracking, GPS navigation, telemetry, M2M or IoT applications all within a low profile, fully water-proof design.

Each of the frequency blocks have individual cable and terminations allowing for dual devices to be used into one antenna.

Adaptors, patch leads and other installation accessories are all available separately.

	L1 GPS	IoT/M2M/Data/LoRaWAN
Construction	Black moulded radome, external coaxial cable and terminations	
Frequency range	L1 GPS 1575.42MHz	ISM900 902-928MHz Suits AU915-928, AS923, US902-928, AS920-923, AS923-925 and KR920-923
Bandwidth	2MHz	Full frequency range
Gain	27dB typical	0dBi
Polarisation	Right-hand circular	Linear
Noise figure	2.0 maximum	-
VSWR	<1.8:1	<2.0:1
Impedance	50 Ohms	
Power supply	3.0 ~ 5.5VDC	-
Power consumption	12mA	-
Power handling	-	10 Watts
Cable	2 x 3.0 metre RG174A/U bottom exit from patch antenna	
Connector	FAKRA, MMCX, SMA, FME, QMA, TNC or Specify requirements when ordering	
Dimensions	118.4mm length x 55.5mm width x 12.3mm high	
Operating temperature	-40°C to +80°C	
Storage temperature	-45°C to +100°C	
Mounting hardware supplied	3M double sided adhesive pad - 1mm height	
Mounting position recommended	Ensure the window installation location is clean and no metallic tint/flakes are present and not heating elements embedded in window.	



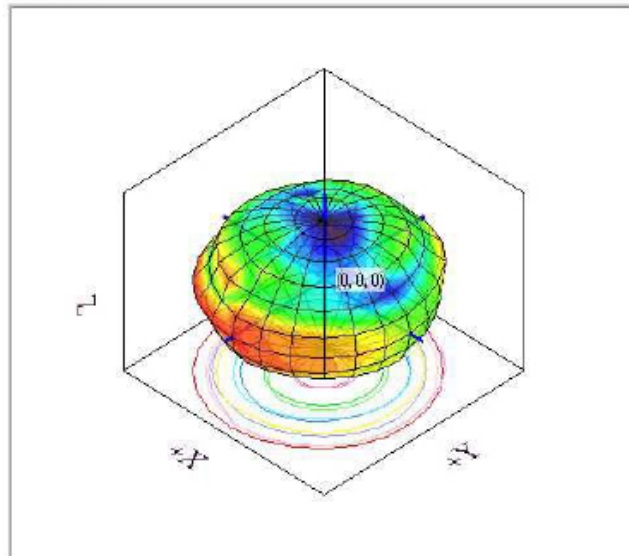
# ZAU-8-915

Low profile adhesive mount patch antenna

L1 GPS 1575.42MHz and ISM900/IoT/M2M Wireless Data 902-928MHz

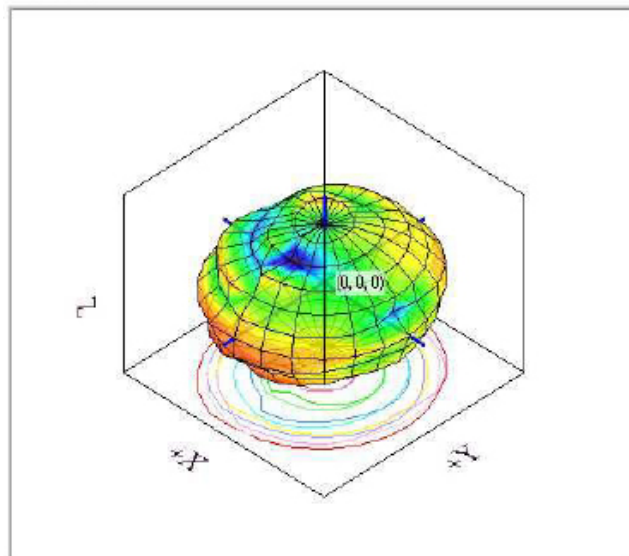


userdefine



@ 902MHz

userdefine



@ 928MHz