

# SG1400

## Omnidirectional wireless data collinear

### UHF 1.35-1.4GHz

The SG-1400 is a ruggedised collinear specifically designed and manufactured for use within the UHF 1.35-1.4GHz frequency range. The ruggedised mount ferrule is suitable for structure or tower mounting utilising appropriate parallel or right-angle mounting brackets.

Alternative mounting options, adaptors, connectors and other installation accessories are all available separately.

Construction	Ruggedised parallel fibreglass radome, aluminium mount ferrule and external termination
Frequency range	UHF 1.35-1.40GHz
Bandwidth	Full frequency range stated
Tuning	Factory
<b>Gain</b>	5.2dBi
Impedance	50 Ohms
Polarisation	Vertical
DC grounding	Yes
H Plane	360° omnidirectional
E Plane	20°
Connector	N-type female at base of mount section
Height	520mm
Weight	900grams
Mount section	100mm x 42mm diameter - aluminium
Projected area	0.0011m <sup>2</sup>
Wind load at 160kph	1.3kg, 0.013kN
Mounting hardware order separate	Parallel: 1 x UB3-SS Right-angle: 1 x UB2-SS



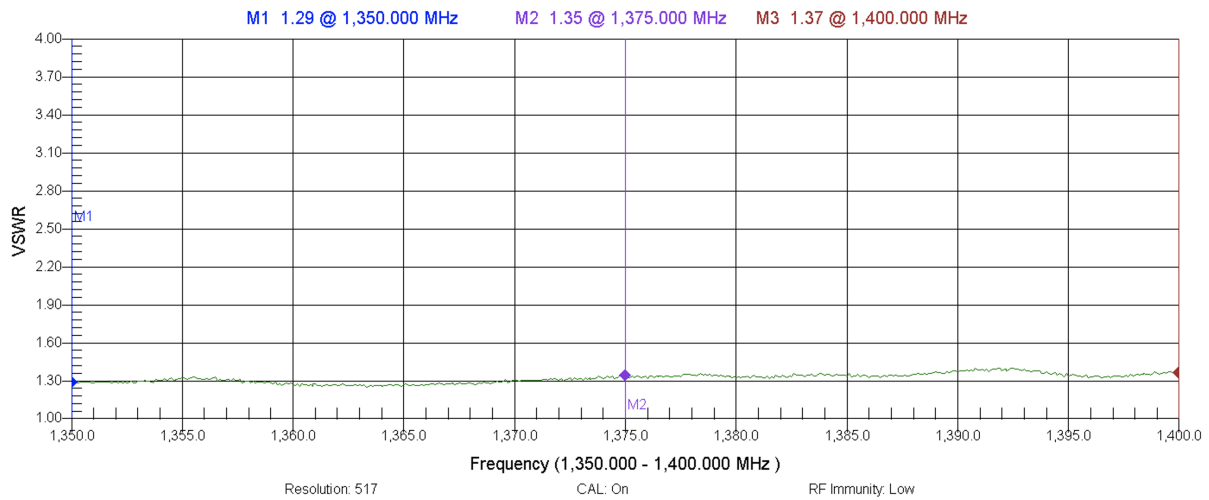


# SG1400

Omnidirectional wireless data collinear  
UHF 1.35-1.4GHz



Typical VSWR  
SG1400 1.35-1.4GHz






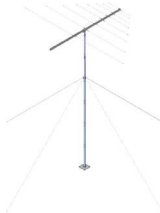

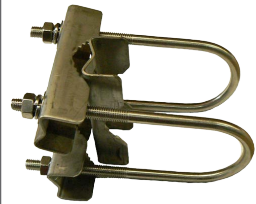
Typical VSWR

# SG1400

## Omnidirectional wireless data collinear

### UHF 1.35-1.4GHz

#### Suitable mounting hardware

 <p>CFB series - Galvanised steel 'J' hockey stick brackets, 1.1 - 2.1 metres.</p> <p>Requires A-4266 series + 2 x EB1-SS or 1 x UB2-SS</p>	 <p>A-2654-2 - Aluminium pole extension 1.1 metres includes pole mounting brackets.</p> <p>Requires A-4266 + 2 x EB1-SS or 1 x UB2-SS</p>
 <p>SFB900 - Galvanised steel straight extension brackets - 900mm or specify length requirements</p> <p>Requires 2 x EB1-SS or 1 x UB2-SS for antenna mounting</p>	 <p>A-2307 - 6-piece aluminium &amp; fibreglass mast - 6.68m</p> <p>Includes: insulated top, guy wires, spigots and base bracket.</p>
 <p>UB3-SS 304 stainless steel parallel clamp Boom: 20-32mm capability Mount pole: 20-50mm capability</p>	 <p>UB2-SS 304 stainless steel right-angle clamp Boom: 20-50mm capability Mount pole: 20-50mm capability</p>

#### Suitable coaxial cable and connectors

 <p>MIL-SPEC RG213 stranded copper conductor coaxial cable P/N 7800</p> <p>Available in 100m or 300m rolls or alternatively request a custom cable assembly</p>	 <p>N-type male crimp connector for MIL-SPEC RG213 P/N 7937 Tri-metal plated</p>
 <p>RU400 Solid copper conductor, low loss coaxial cable CNT-400 / LMR-400™ equivalent (* times microwave) P/N 7890</p> <p>Available in 100m, 300m or 500m rolls or alternatively request a custom cable assembly</p>	 <p>N-type male crimp connector for RU400 low loss, solid conductor P/N 8226 Tri-metal plated</p>
 <p>1/2" super flexible helical shielded, foam dielectric coaxial cable P/N ZCG1250SF</p> <p>Available in per metre, or 500m rolls or alternatively request a custom cable assembly</p>	 <p>N-type male clamp connector for 1/2" super flexible, helical shielded coaxial cable P/N NM1250SF Tri-metal plated</p>