

Y2400 series

Point-to-point radome enclosed Yagi

WiFi or Industrial, Scientific and Medical ISM2.4-2.5GHz



These radome enclosed Yagi's are specifically designed for directional point-to-point WiFi or ISM 2.4-2.5GHz wireless data link transmit and receive applications.

The enclosed design ensures protection from damage or water ingress, increasing the service life of these antennas.

Coaxial feeder cable, water-proofing, bird proofing, adaptors and other installation accessories are all available separately.



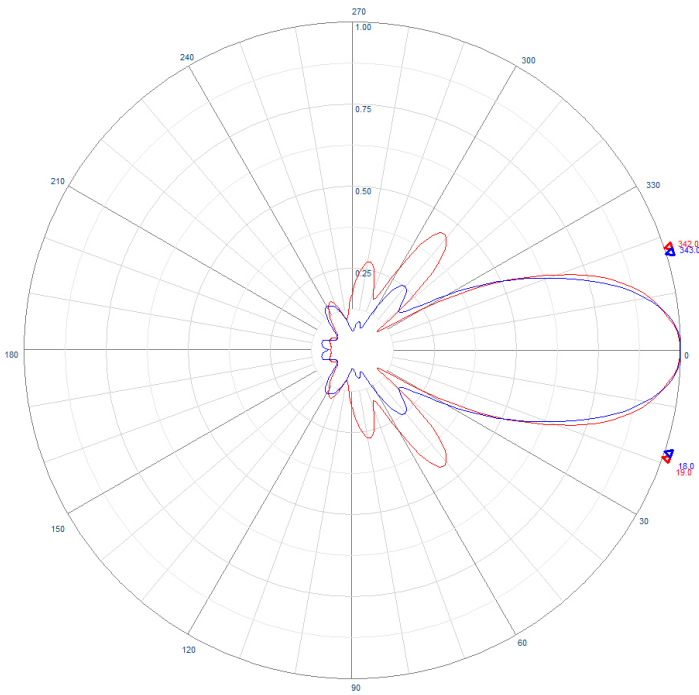
	Y2400-9	Y2400-18
Construction	White or Black fibreglass parallel radome, aluminium mount plate and external coaxial cable and termination	
Frequency range	UHF / WiFi or ISM 2.4-2.5GHz	
VSWR	<1.5:1	
Tuning	Factory	
Number of elements	9	18
Gain	11.3dBi	17.8dBi
Maximum power	25 Watts	
Impedance	50 Ohms	
Polarisation	Mount horizontal or vertical as required	
H Plane	36°	23°
E Plane	43°	26°
Front-to-back ratio	-20 dB	
DC grounding	Yes	
Cable	200mm MIL-SPEC RG58 low loss - rear exit from mount plate	
Connector	N-type female fitted to cable - as standard	
Dimensions	300mm x 80mm	700mm x 80mm
Weight	1.5kg	2.0kg
Projected area	0.015m	0.035m
Wind load at 160kph	1.82kg	4.26kg
Mounting hardware supplied	Aluminium mount plate, 2 x galvanised steel V-blocks and 2 x 50mm diameter galvanised steel U-bolts	
Installation tools required	13mm spanner for U-bolt securing	



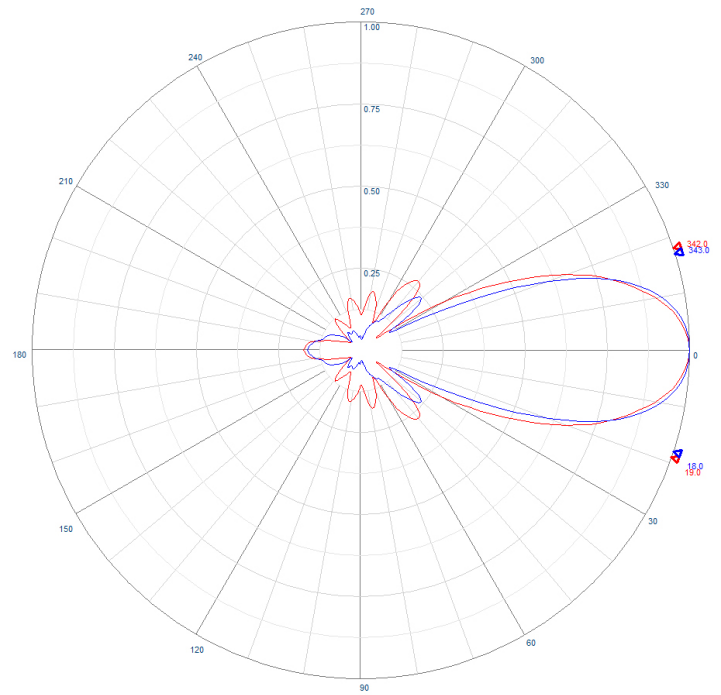
Y2400 series

Point-to-point radome enclosed Yagi

WiFi or Industrial, Scientific and Medical ISM2.4-2.5GHz

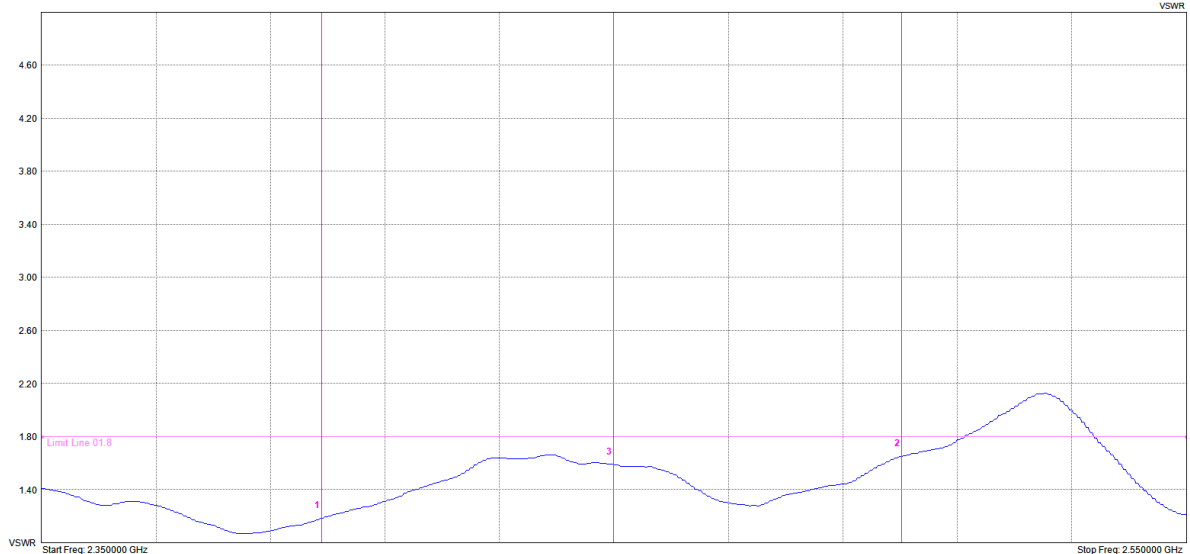


Example radiation pattern - Y2400-9



Example radiation pattern - Y2400-18

Typical VSWR
Y2400-18 2.4-2.45GHz



Mir	Ref	Delta	Ref Freq	Ref Amp	Delta Freq	Delta Amp
1	<input type="checkbox"/>	<input type="checkbox"/>	2.399 GHz	1.18VSWR	--	--
2	<input type="checkbox"/>	<input type="checkbox"/>	2.500 GHz	1.65VSWR	--	--
3	<input type="checkbox"/>	<input type="checkbox"/>	2.450 GHz	1.59VSWR	--	--
4	<input type="checkbox"/>	<input type="checkbox"/>	--	--	--	--

Typical VSWR - Y2400-18

Y2400 series

Point-to-point radome enclosed Yagi

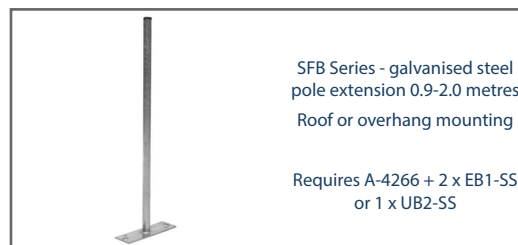
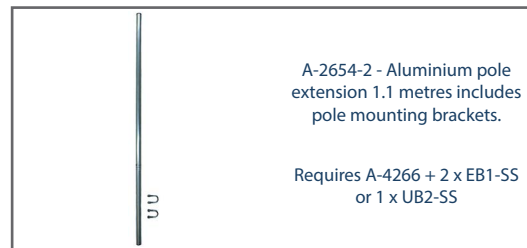
WiFi or Industrial, Scientific and Medical ISM2.4-2.5GHz



Suitable feeder coaxial cable



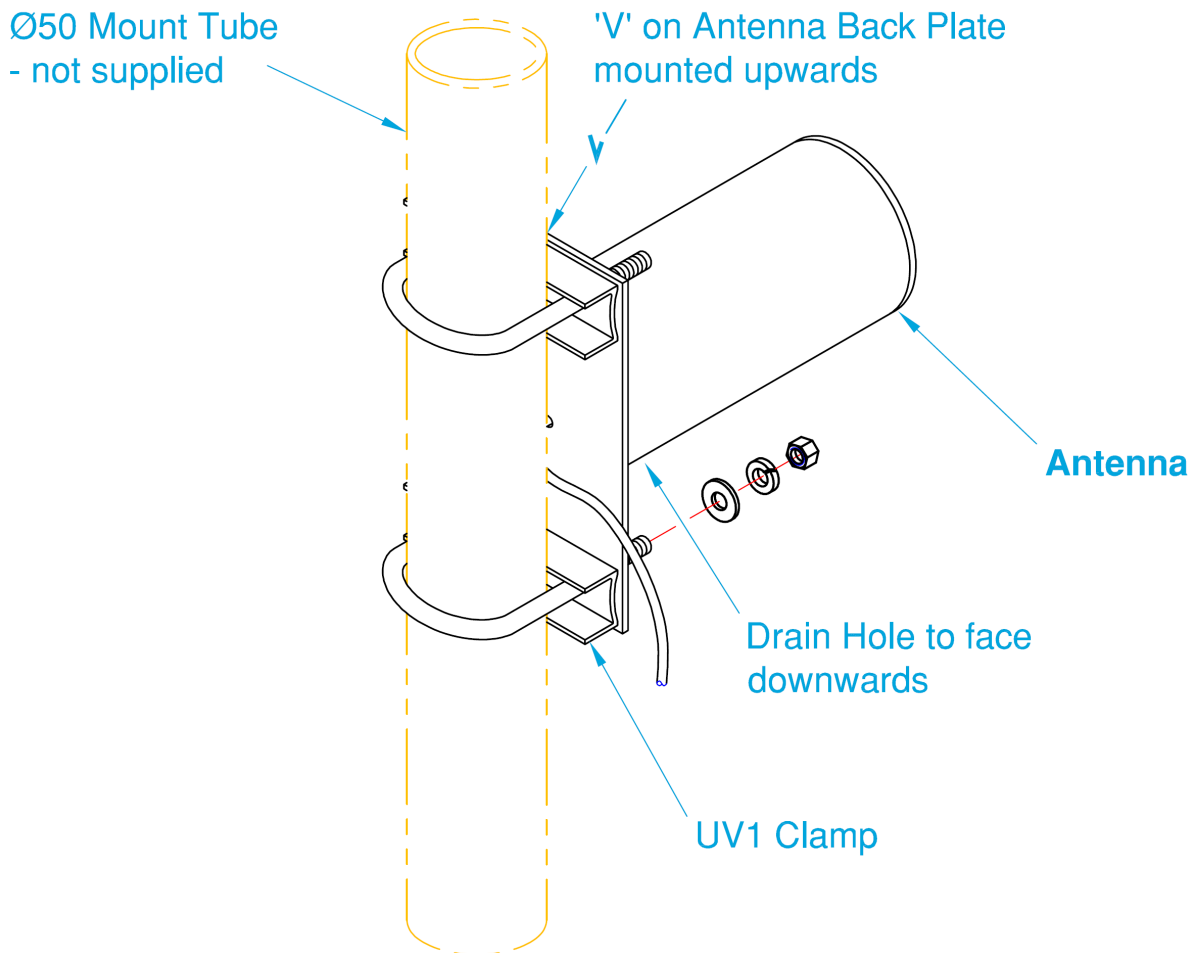
Suitable mounting hardware



Y2400 series

Point-to-point radome enclosed Yagi

WiFi or Industrial, Scientific and Medical ISM2.4-2.5GHz



Vertical Polarisation: