



Custom manufactured antenna mount structures

For towers, poles or structures



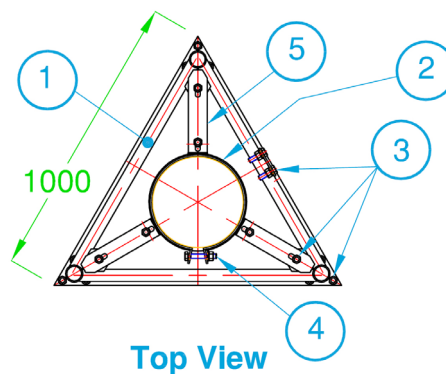
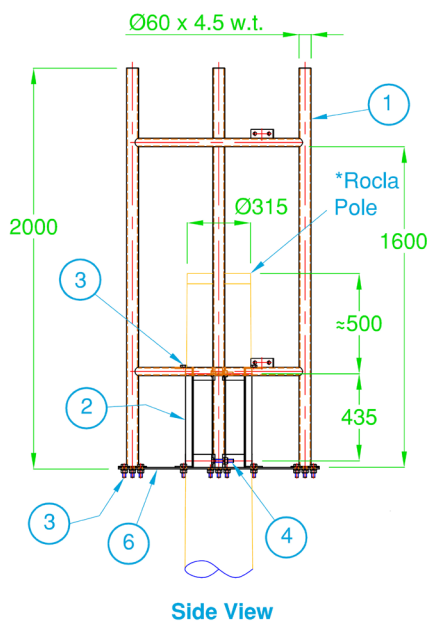
ZCG's in-house capabilities allow us to custom manufacture antenna mount structures for a wide range of installation locations, including on concrete/metal monopoles, through to pole or structure mounted solutions.

Contact ZCG directly for more information on custom mounting structure capabilities. Please ensure drawings, ratings and material type is included in enquiry.

Below are some of the custom tower structures manufactured by ZCG. Please note, the custom structures do not include antennas or antenna mounting clamps.

MHP-21115

Construction	Tri-faced welded galvanised high tensile steel frame with platform and drop door.
Installation location	Suits Rocla LT-A30 6M pole - approx. 500mm from top
Dimensions	Height: 2.0 metres Width: 1.0 metre
Mount pole capability	310mm to 320mm diameter pole
Mounting	2 x 310-320mm capability clamp rings
Customisation available	<ul style="list-style-type: none"> Material colour/finish Central mounting capability Overall height Optional access hardware
Installation tools required	27mm socket and 300mm shifters





Custom manufactured antenna mount structures

For towers, poles or structures



A-1951	
Construction	Multi-piece aluminium, dual ring,
Installation location	top of heavy-duty pole, tower or structure
Dimensions	Height: 2.3 metres - including central mounted lightning finial Diameter: 1.8 metre - excluding antennas
Mounting	Mount using 280mm diameter x 10mm plate with 8 x 22mm holes.
Customisation available	<ul style="list-style-type: none"> • Material type • Material colour/finish • Ring spacing (height) • Ring diameter • Central mounting capability • Lightning finial height/type
Suitable antennas	<ul style="list-style-type: none"> • Dipole arrays • Collinear • Panels • Corner reflectors • Log Periodic

