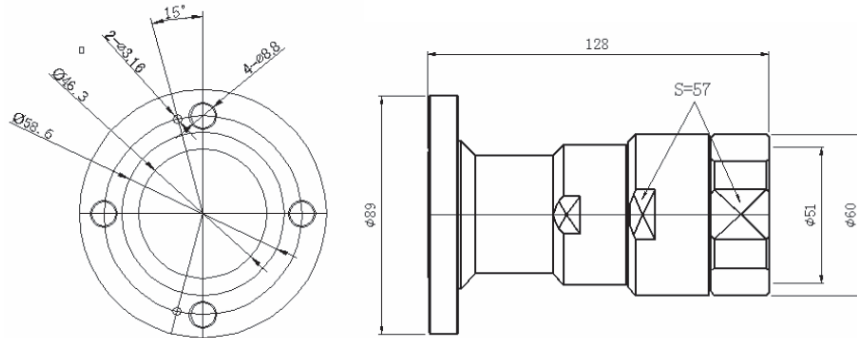


## 158EIA15850

1-5/8" EIA Flange connector

For 1-5/8" foam feeder cable



Specifications	158EIA15850
Interface	According to 1-5/8" EIA Flange
Frequency range	DC - 3GHz
VSWR	≤1.07@DC-1GHz
Impedance	50 Ohm
Dielectric withstanding voltage	≥6000V RMS, 50Hz, at sea level
Average power	3.4kW at 900MHz
Peak power maximum	90kW
Dielectric resistance	≥5000 MΩ
Contact resistance	Centre Contact - ≤1.5mΩ Outer Contact - ≤1.5mΩ
Durability	≥500 mating cycles
Waterproof rating	IP67
Temperature range	-45°C to +85°C

Construction	
Body	Nickel plated brass
Insulator	PTFE (teflon)
Centre contact	Silver plated phosphor bronze
Coupling nut	Nickel plated brass
Other parts	Nickel plated brass
Gasket	Silicon rubber