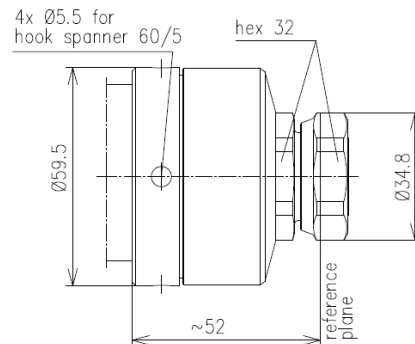


716DINM1580

7/16" DIN male connector

For 1-5/8" flexible cable



all dimensions in millimeter

| | | |
|------------------------|--|---|
| Interface type | 7-16 plug per IEC 61169-4 | |
| Frequency range | DC - 2.75 GHz | |
| VSWR | 1.02 @ DC - 1GHz 1.03 @ 1.0-2.2GHz 1.06 @ 2.2-2.75GHz | |
| Impedance | 50 Ohm | |
| Cable compatibility | Spinner Acome Andrew Draka Eupen Hansen Leoni LS Cable RFS | SPINNERFlex LF 1 5/8"-50 HPL50-1 5/8 F AVA7-50 RFA 1 5/8"-50, RFA 1 5/8"50 AL EC7-50-A RF 50 1 5/8" FlexLine 1 5/8" R Low Loss LHF 42D Low Loss, HFC 42D Flexible Foam LCF 158-50 A, LCF 158-50 L |
| Body and outer | Copper alloy / CuSnZn plated | |
| Insulator | PTFE (teflon) | |
| Centre contact | Copper alloy / silver plated | |
| Inner conductor socket | Copper alloy / CuSnZn plated | |
| Sealing | Silicon rubber | |