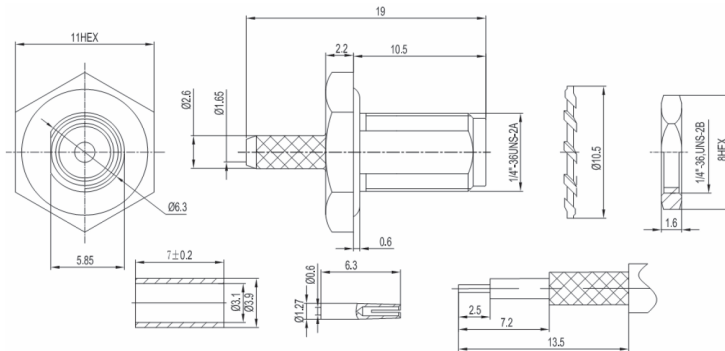


## 7901-2

### SMA bulkhead female crimp connector For RG316 or RG174 cable



Interface	According to IEC 60169-15
Frequency range	DC - 6GHz
VSWR	≤1.15@DC-3GHz
Impedance	50 Ohm
Dielectric withstanding voltage	≥1000V RMS, 50Hz, at sea level
Dielectric resistance	≥5000 MΩ
Contact resistance	Centre Contact - ≤3.0mΩ Outer Contact - ≤2.5mΩ
Durability	≥500 mating cycles
Temperature range	-40°C to +85°C

#### Construction

Body	Gold plated brass
Insulator	PTFE (teflon)
Centre contact	Gold plated phosphor copper
Nut	Gold plated brass
Ferrule	Nickel plated annealed copper
Washer	Gold plated brass

#### Strip dimensions

Outer: 11.0mm - A

Braid: 5.0mm - B

Dielectric: 3.0mm - C

