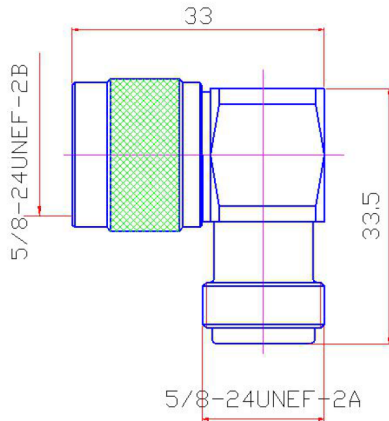


7944

N-type male to N-type female right-angle adaptor Nickel plated



In-stock
Ready to
Ship



Interface	According to IEC 60169-16
Frequency range	DC - 11GHz
VSWR	≤1.10@DC-6GHz
Impedance	50 Ohm
Dielectric withstanding voltage	≥2500V RMS, 50Hz, at sea level
Working voltage	≥1000V RMS, 50Hz, at sea level
Dielectric resistance	≥5000 MΩ
Contact resistance	Centre Contact - ≤1.0mΩ Outer Contact - ≤0.25mΩ
Durability	≥500 mating cycles
Temperature range	-40°C to +85°C
Waterproof rated	IP68
RoHS Compliant	Yes

Construction

Body	Nickel plated brass
Insulator	PTFE (teflon)
Centre contact	Gold plated phosphor bronze
Coupling nut	Nickel plated brass
Gasket	Silicon rubber