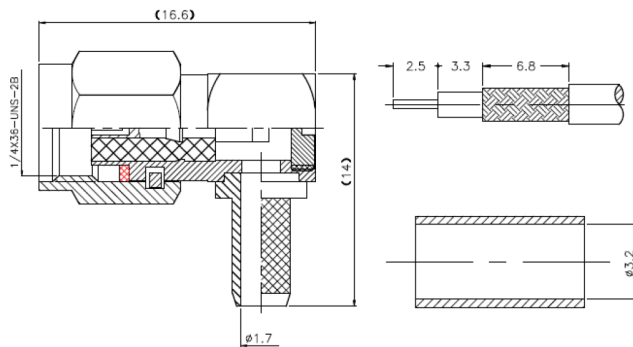


7963-13

SMA reverse polarity right-angle crimp connector

For RG316/RG118 or RG174 cable



Interface	According to IEC 60169-15
Frequency range	DC - 12.4GHz
VSWR	≤1.20@DC-3GHz
Impedance	50 Ohm
Dielectric withstanding voltage	≥1000V RMS, 50Hz, at sea level
Dielectric resistance	≥5000 MΩ
Contact resistance	Centre Contact - ≤3.0mΩ Outer Contact - ≤2.5mΩ
Durability	≥500 mating cycles
Interface retention force	≥60N
Temperature range	-40°C to +85°C
RoHS compliant	Yes

Construction

Body	Gold plated brass
Insulator	PTFE (teflon)
Centre contact	Gold plated phosphor copper
Outer contact	Gold plated brass
Sealing cap	Gold plated brass
Ferrule	Nickel plated annealed copper
Gasket	Silicon rubber