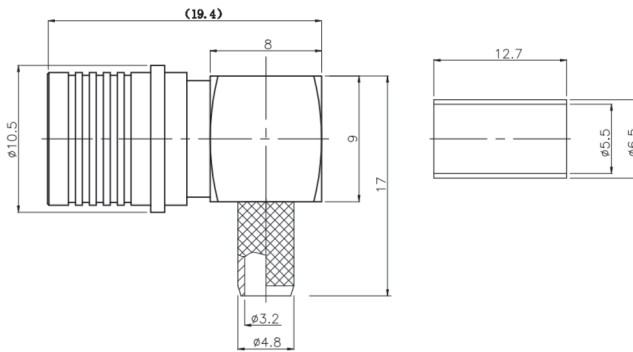


8317-2

QMA 'Quick-lock' right-angle SMA male

For RG58 cable



Interface	According to IEC 60169
Frequency range	DC - 6GHz
VSWR	≤1.25@DC-3GHz
Impedance	50 Ohm
Dielectric withstanding voltage	≥1000V RMS, 50Hz, at sea level
Working voltage	≤480V
Dielectric resistance	≥5000 MΩ
Contact resistance	Centre Contact - ≤2.5mΩ Outer Contact - ≤3.0mΩ
Durability	≥200 mating cycles
Interface retention force	≥60N
Temperature range	-40°C to +85°C
RoHS compliant	Yes

Construction

Body	Tri-metal plated brass
Insulator	PTFE (teflon)
Centre contact	Gold plated phosphor copper
Outer contact	Tri-metal plated phosphor copper
Ferrule	Tri-metal plated annealed copper
Sealing cap	Tri-metal plated brass