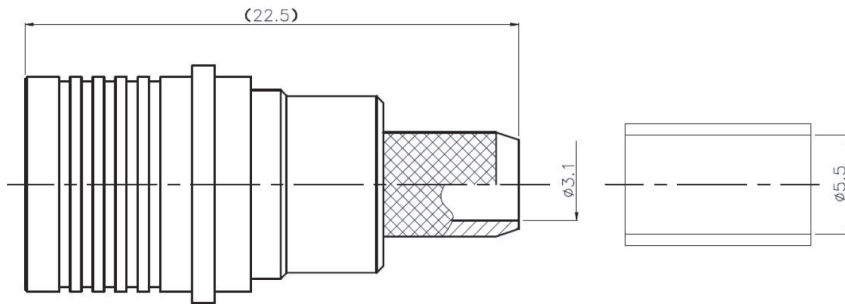


8317-3

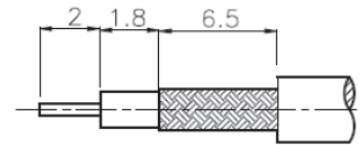
QMA 'Quick-lock' SMA male

For RG58 cable

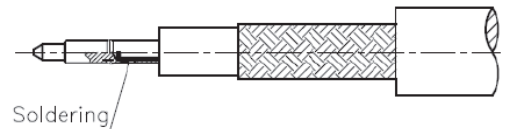


Specifications	8317-3
Interface	According to IEC 60169
Frequency range	DC - 6GHz
VSWR	≤1.25@DC-3GHz
Impedance	50 Ohm
Dielectric withstanding voltage	≥1000V RMS, 50Hz, at sea level
Working voltage	≤480V
Dielectric resistance	≥5000 MΩ
Contact resistance	Centre Contact - ≤2.5mΩ Outer Contact - ≤3.0mΩ
Durability	≥100 mating cycles
Interface retention force	≥60N
Temperature range	-40°C to +85°C
RoHS compliant	Yes

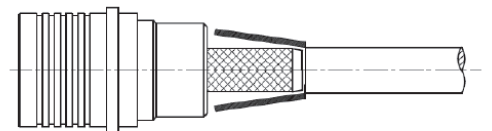
Construction	
Body	Nickel plated brass
Insulator	PTFE (teflon)
Centre contact	Gold plated phosphor copper
Outer contact	Tri-alloy phosphor copper
Ferrule	Nickel plated annealed copper



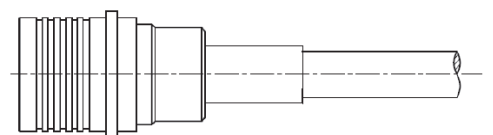
1. Strip the RG58 to the dimensions shown above



2. Solder the male pin onto the centre conductor, slide on crimp sleeve over pin/cable.



3. Insert the pin/cable into the rear of connector body



4. Slide the crimp sleeve up over the braid until flush with body of connector, securely crimp, trim off excess braid.