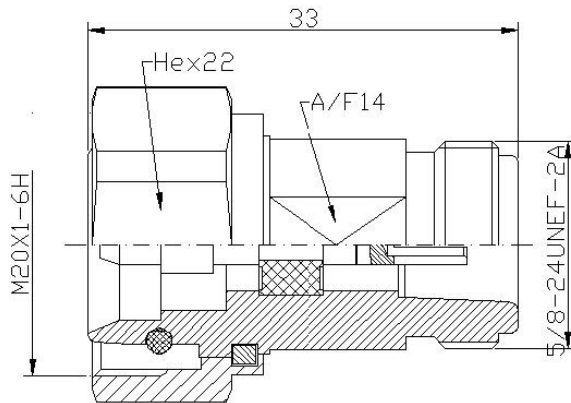


ADP-8351-6

Type 4.3-10 male screw-type to N-type female coaxial adaptor
Low Passive intermodulation


In-stock
Ready to
Ship



Interface	According to IEC 60169-16 / 61169-54
Frequency range	DC - 12 GHz
VSWR	≤1.1:1 at DC-3 GHz ; ≤1.2:1 at 3-6 GHz
Impedance	50Ω (Ohms)
Insertion loss	≤0.05dBvf (GHz) dB
Intermodulation (3rd order)	≤ -158dBc @ 2 x 20W (43dBm)
Insulation resistance	≥5000 MΩ
Working voltage	500V RMS
Maximum power	500 Watts at 2GHz / 90°C
Durability	≥500 mating cycles
Temperature range	-55°C to +155°C
IP Rating	IP68
RoHS Compliant	Yes



Construction

Body + backnut + coupling nut	Tri-metal plated brass
Insulator	PTFE (teflon)
Centre contact	Silver plated phosphor bronze
Coupling nut	Nickel plated brass
Gasket	Silicon rubber