

## BNC/STI connectors

50 Ohm and 75 Ohm

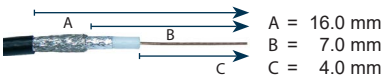
Page 1 of 3

  
In-stock  
Ready to  
Ship  
\* Signifies build to order item

**7893-2**



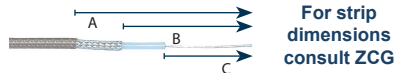
**BNC male crimp connector**  
For RG6 Quad shield cable



**7893-3**



**Right-angle BNC male crimp connector**  
For RG179 cable

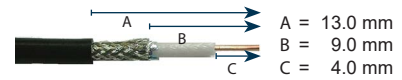


**7920**



**BNC male solder pin clamp connector**  
For RG58 cable

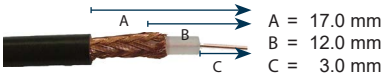
**Tri-metal plated Low P.I.M.**



**7921-3**



**Right-angle BNC male solder pin clamp connector**  
For RG59 cable

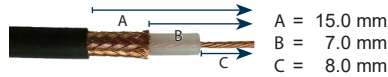


**7936**



**BNC male solder pin clamp connector**  
For RG213 cable

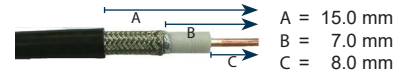
**Tri-metal plated Low P.I.M.**



**7936-2\***



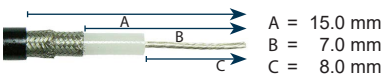
**BNC male solder pin clamp connector**  
For RU400 cable



**7936-3**



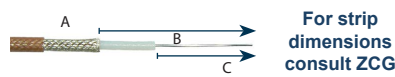
**BNC male solder pin clamp connector**  
For RG214 cable



**7936-5**



**BNC male crimp connector**  
For RG142 cable

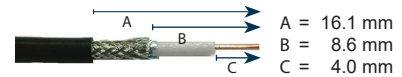


**7965**



**BNC male crimp connector**  
For RG58/RG223 cable

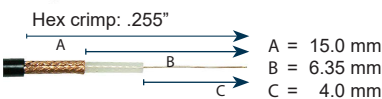
**Tri-metal plated**



**7978-5\***



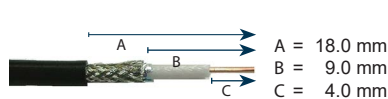
**Mini BNC male crimp connector**  
For RG59 cable



**7988**



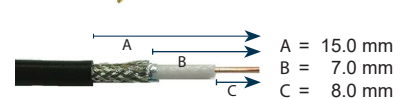
**Reverse BNC male crimp connector**  
For RG58 cable



**7999**



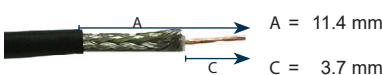
**BNC male square cut solder pin clamp connector**  
For RG58 cable



**8265**



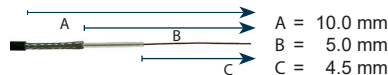
**Right-angle BNC male solder pin clamp connector**  
For RG174/RG316 cable



**8269**



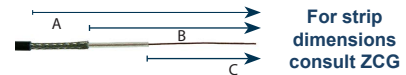
**BNC male solder pin clamp connector**  
For RG174/RG316 cable



**8269-2\***



**BNC male crimp connector**  
For RG174/RG316 cable



## BNC/STI connectors

50 Ohm and 75 Ohm

Page 2 of 3

In-stock  
Ready to Ship  
\* Signifies build to order item

<p><b>7892</b></p>  <p><b>BNC female crimp connector</b> For RG58 cable</p>  <p>A = 15.0 mm B = 7.0 mm C = 8.0 mm</p>	<p><b>7921-2</b></p>  <p><b>BNC female crimp connector</b> For RG58 cable</p>  <p>A = 14.7 mm B = 7.2 mm C = 4.0 mm</p>	<p><b>7921-4</b></p>  <p><b>BNC female solder pin crimp connector</b> For RG402 cable</p>  <p>For strip dimensions consult ZCG</p>
<p><b>7921-6*</b></p>  <p><b>BNC female crimp connector</b> For RG59 coaxial cable</p>  <p>For strip dimensions consult ZCG</p>	<p><b>7921-7*</b></p>  <p><b>Bulkhead BNC female solder pin crimp connector</b> For RG58 coaxial cable</p>  <p>For strip dimensions consult ZCG</p>	<p><b>7929</b></p>  <p><b>BNC female bulkhead mount connector</b></p>  <p>C = 5.0 mm</p>
<p><b>7929-2</b></p>  <p><b>BNC female bulkhead mount connector</b></p>  <p>C = 5.0 mm</p>	<p><b>7951</b></p>  <p><b>BNC female bulkhead solder pin clamp connector</b> For RG174/RG316 cable</p> <p><b>Tri-metal plated</b> <b>Low P.I.M.</b></p>  <p>A = 11.5 mm B = 7.0 mm C = 4.0 mm</p>	<p><b>7951-2*</b></p>  <p><b>BNC female crimp connector</b> For RG316 cable</p>  <p>For strip dimensions consult ZCG</p>
<p><b>7962</b></p>  <p><b>BNC female flange mount receptacle</b> For RG58/ RG142/ RG316 coaxial cable</p>  <p>C = 5.0 mm</p>	<p><b>7981-2</b></p>  <p><b>BNC female bulkhead clamp style connector</b> 5/32 WHIT Type C</p>	<p><b>7962-4</b></p>  <p><b>BNC square mount crimp connector</b> For RG58</p>  <p>For strip dimensions consult ZCG</p>


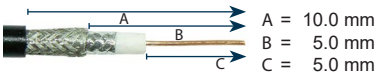

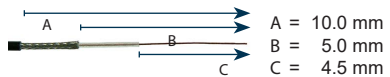

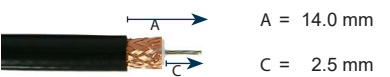
75 Ohm BNC/STI connectors on the following page.





## BNC/STI connectors

50 Ohm and 75 Ohm

Page 2 of 3

  
In-stock  
Ready to  
Ship  
\* Signifies build to  
order item

8267	7978-2	7978-3*
 <b>BNC male 75 Ohm solder pin clamp connector</b> For RU400-75 cable <b>Tri-metal plated Low P.I.M.</b>  <p>A = 10.0 mm B = 5.0 mm C = 5.0 mm</p>	 <b>BNC male 75 Ohm solder pin crimp connector</b> For RG174/RG316 cable  <p>A = 10.0 mm B = 5.0 mm C = 4.5 mm</p>	 <b>BNC male 75 Ohm solder pin crimp connector</b> For RG11 cable  <p>A = 14.0 mm C = 2.5 mm</p>

7962-2	7962-3
 <b>BNC female 75 Ohm flange mount receptacle</b>  <p>C = 5.0 mm</p>	 <b>BNC female 75 Ohm flange mount receptacle</b>  <p>C = 5.0 mm</p>