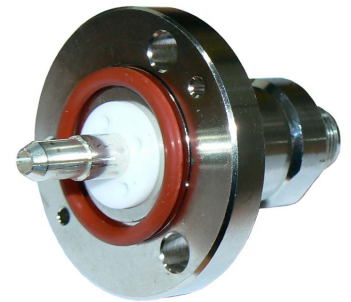
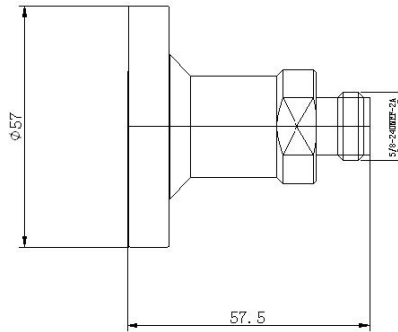
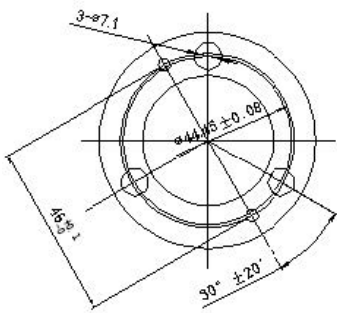


EIA78F-NJ

7/8" EIA flange to N-type female straight adaptor

DC ~ 5 GHz



| | | |
|---------------------------------|---|---------------------------|
| Interface | According to 7/8" EIA flange | |
| Frequency range | DC - 5 GHz | |
| VSWR | 1.07 @ DC-1.0 GHz | |
| Impedance | 50 Ohms | |
| Dielectric withstanding voltage | ≥6000V rms, 50Hz, at sea level | |
| Dielectric resistance | ≥5000MΩ | |
| Peak power | 90 Kilowatts - maximum | Average: 2.3kW at 900 MHz |
| Contact resistance | Centre contact - ≤1.5mΩ Outer contact - ≤1.5mΩ | |
| Durability | ≥500 mating cycles | |
| Operating temp range | -40°C to + 85°C | |
| Weatherproof rating | IP67 | |

Construction

| | |
|-------------------|------------------------------------|
| Body | Nickel (Ni) plated brass |
| Insulator | PTFE (teflon) |
| Centre conductor | Silver (Ag) plated phosphor bronze |
| Coupling nut | Nickel (Ni) plated brass |
| Gasket | Silicon rubber |
| Bolts and washers | 304 stainless steel |