

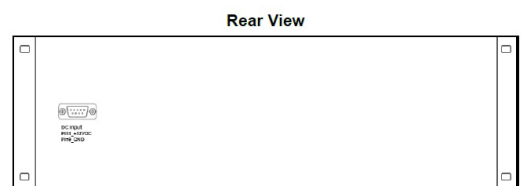
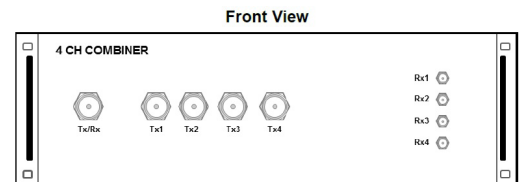
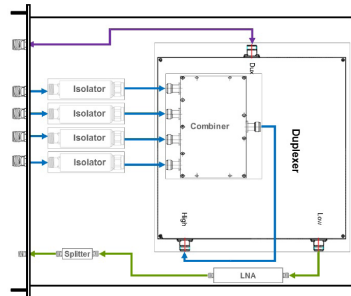
4-port Combiner and 4-port splitter For TETRA communications



The ZCG Tetra 4 port combiner and 4 port splitter combines both a combiner and splitter into a 3RU rack fitting profile.

TETRA or TErestrial TRunked RAdio is a digital licenced version of UHF communications. Used by courier companies, transport companies, mining, security and also in use with military and emergency services.

ZCG also have Filters, combiners, duplexers and multicouplers available.

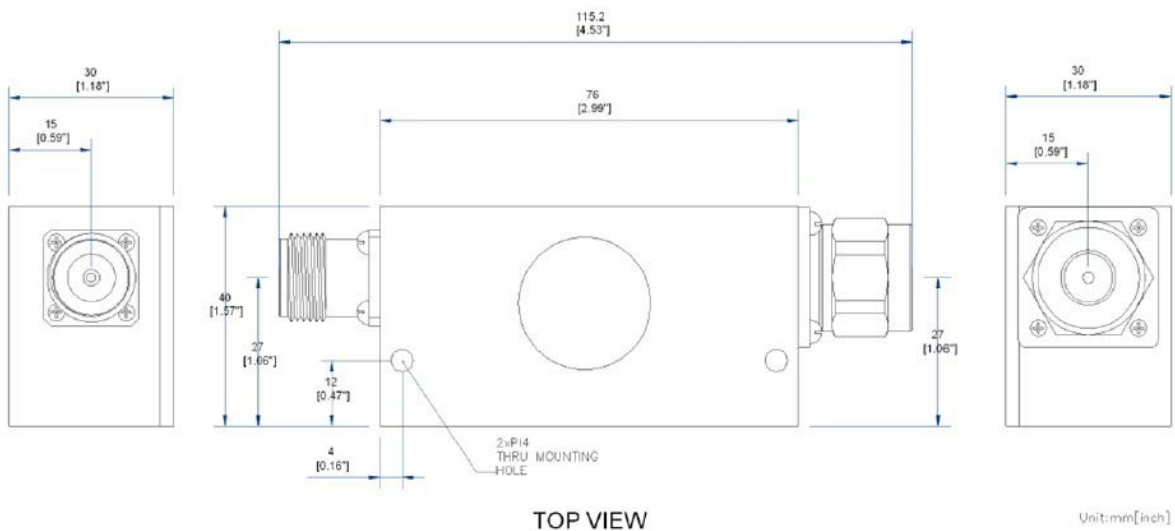


Specifications	TET-4pcom-4pspl
Construction	Black powdercoated outer case and chrome terminations
Frequency range	TX High: 463-469MHz RX Low: 453-459MHz
Gain	TX High: -10dB RX Low: +16dB
Port Isolation	TX High: 60dB RX Low: N/A
Maximum power	TX High: +44dBm - 25 Watts RX Low: -10dBm - 0.1mW
Impedance	50 Ohms
Noise figure	TX High: N/A RX Low: 3.5dB
Connector	TX input: 4 x N-type female RX Output: 4 x SMA female or 4 x N-type female - specify when ordering Tx/Rx Port: N-type female
Operating temperature	-10°C to +50°C
Dimensions	Width: 415mm, Depth: 500mm, Height: 135mm

4-port Combiner and 4-port splitter For TETRA communications



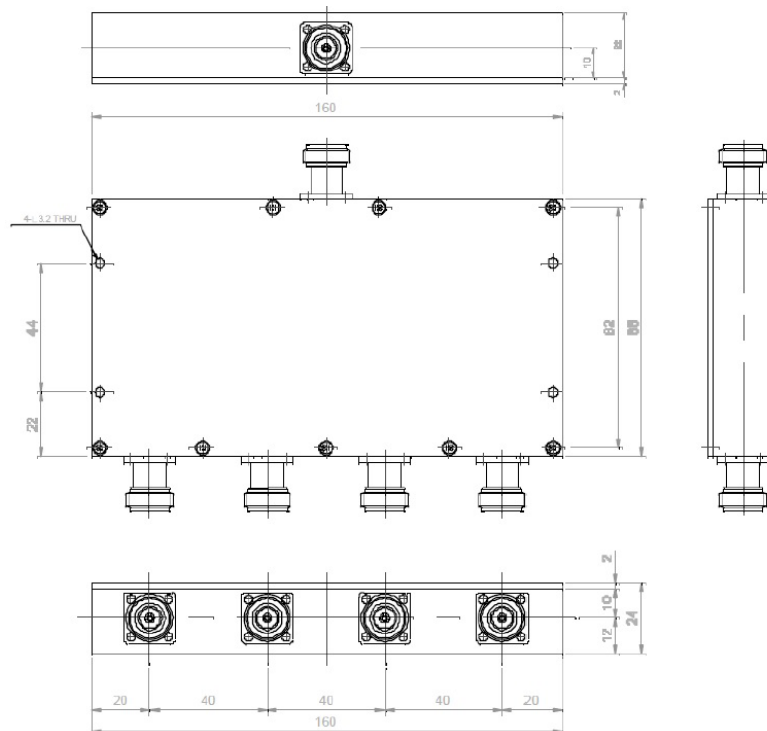
Specifications	Isolator
Frequency range	450-470MHz
Insertion loss	0.8dB
Isolation	40dB
Return loss	16dB
Impedance	50 Ohms
Power rating	100 Watts
Connector	Input: N-type female, Output: N-type male
Operating temperature	-40°C to +85°C
Dimensions	Length: 115.2mm, Width: 40mm, Height: 30mm



4-port Combiner and 4-port splitter For TETRA communications



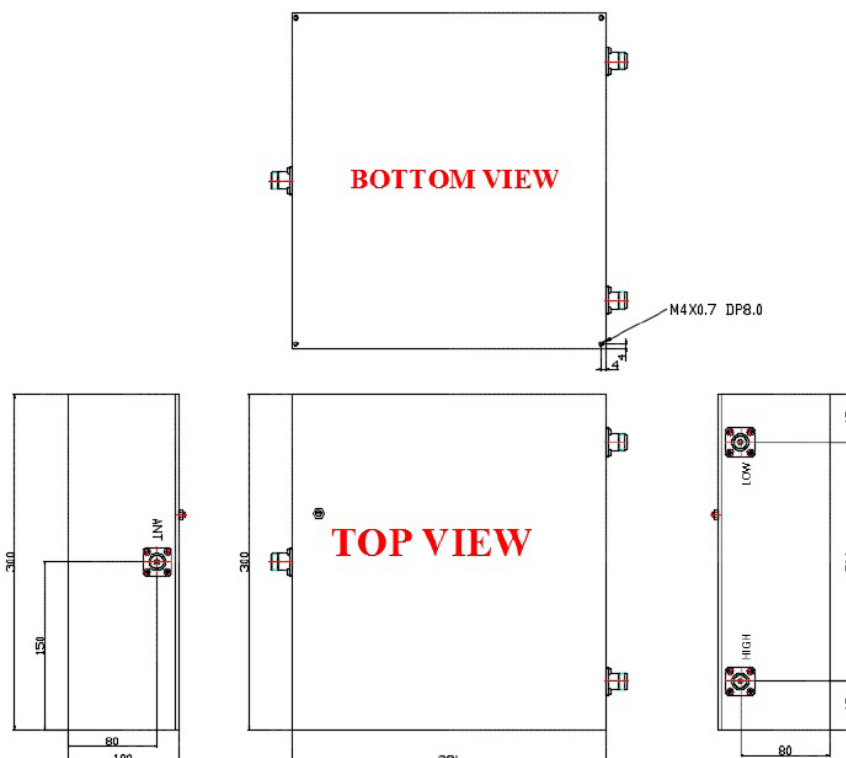
Specifications	4-port Combiner
Frequency range	450-470MHz
Insertion loss	7.2dB
Port isolation	25dB
VSWR	1.5:1
Impedance	50 Ohms
Amplitude unbalance	0.3dB
Power handling	25 Watts - input port
Connector	Input: 4 x N-type female, Output: N-type female
Operating temperature	-40°C to +70°C
Dimensions	Length: 88mm, Width: 160mm, Height: 25mm



4-port Combiner and 4-port splitter For TETRA communications

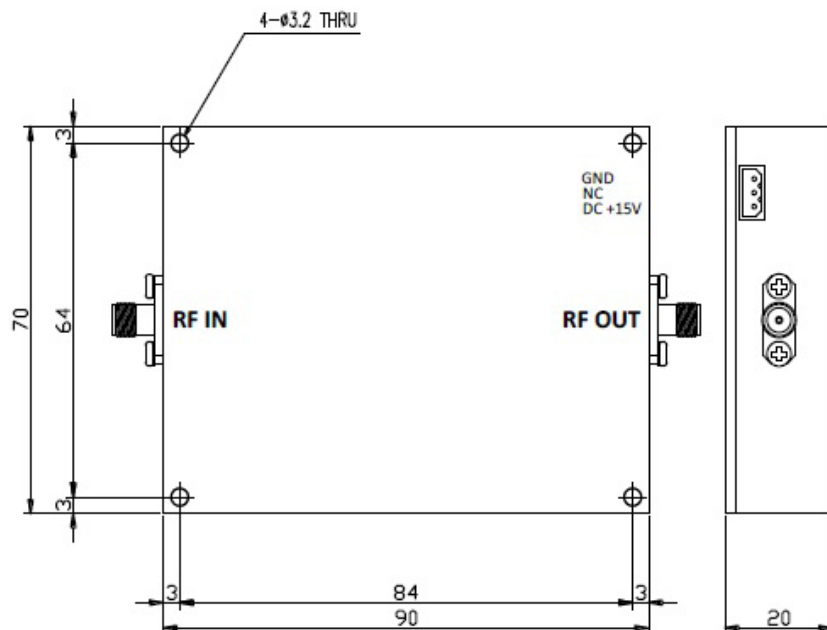


Specifications	Duplexer
Centre frequency	Low: 456MHz High: 466MHz
Frequency range	Low: 453-459MHz High: 463-469MHz
Insertion loss	1.3dB typical - 1.5dB maximum
Return loss	Better than 16dB
In/out Impedance	50 Ohms
Attenuation	Low: 60db minimum at 463-469MHz High: 60dB minimum at 453-459MHz
Input Power	100 Watts maximum at high port
Connector	Input: N-type female, Output: 4 x N-type female
Operating temperature	-30°C to +60°C
Dimensions	Length: 281mm, Width: 300mm, Height: 80mm



4-port Combiner and 4-port splitter For TETRA communications

Specifications	LNA
Frequency range	450-470MHz
VSWR	≤1.5:1
Gain	25dB
Gain flatness	1dB
Gain variation	±1.5dB at -30°C to +70°C
Noise figure	1.3dB at room temperature
P1dB	14dBm - output
OIP3	23dBm
Connector	Input: SMA male, Output: SMA male
DC connector	Molex 2.54mm - 3pin
Input voltage	12 ±1.0 Vdc
Input current	350mA
Operating temperature	-30°C to +70°C
Dimensions	Length: 281mm, Width: 300mm, Height: 80mm



4-port Combiner and 4-port splitter For TETRA communications



Specifications	4-port Splitter
Frequency range	450-470MHz
VSWR	≤1.5:1
Insertion loss	7.5dB
Port isolation	17dB
Impedance	50 Ohms
Power handling	1 Watt
Connector	Input: SMA male, Output: 4 x SMA Male or N-type females
Operating temperature	-40°C to +70°C
Dimensions	Length: 44mm, Width: 66mm, Height: 12mm

